

# SERVO V2

SCH: 810-10010-03  
 ASSY: 803-10010-03  
 PCB: 180-10010-04

NOTES:

SPI FLASH PROGRAMMING		
SPI1_BUF_EN_L	SPI2_BUF_EN_L	MODE
H	H	NORMAL OPERATION
H	L	PROGRAM BIOS SPI FLASH
L	H	PROGRAM EC SPI FLASH

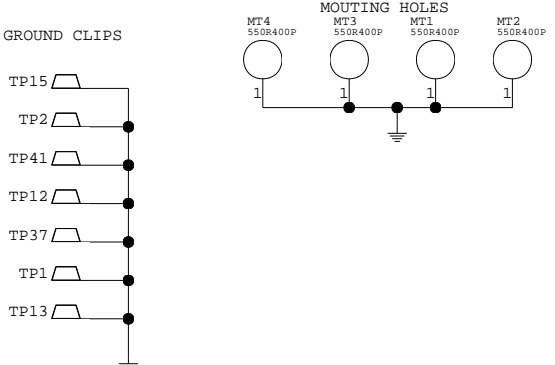
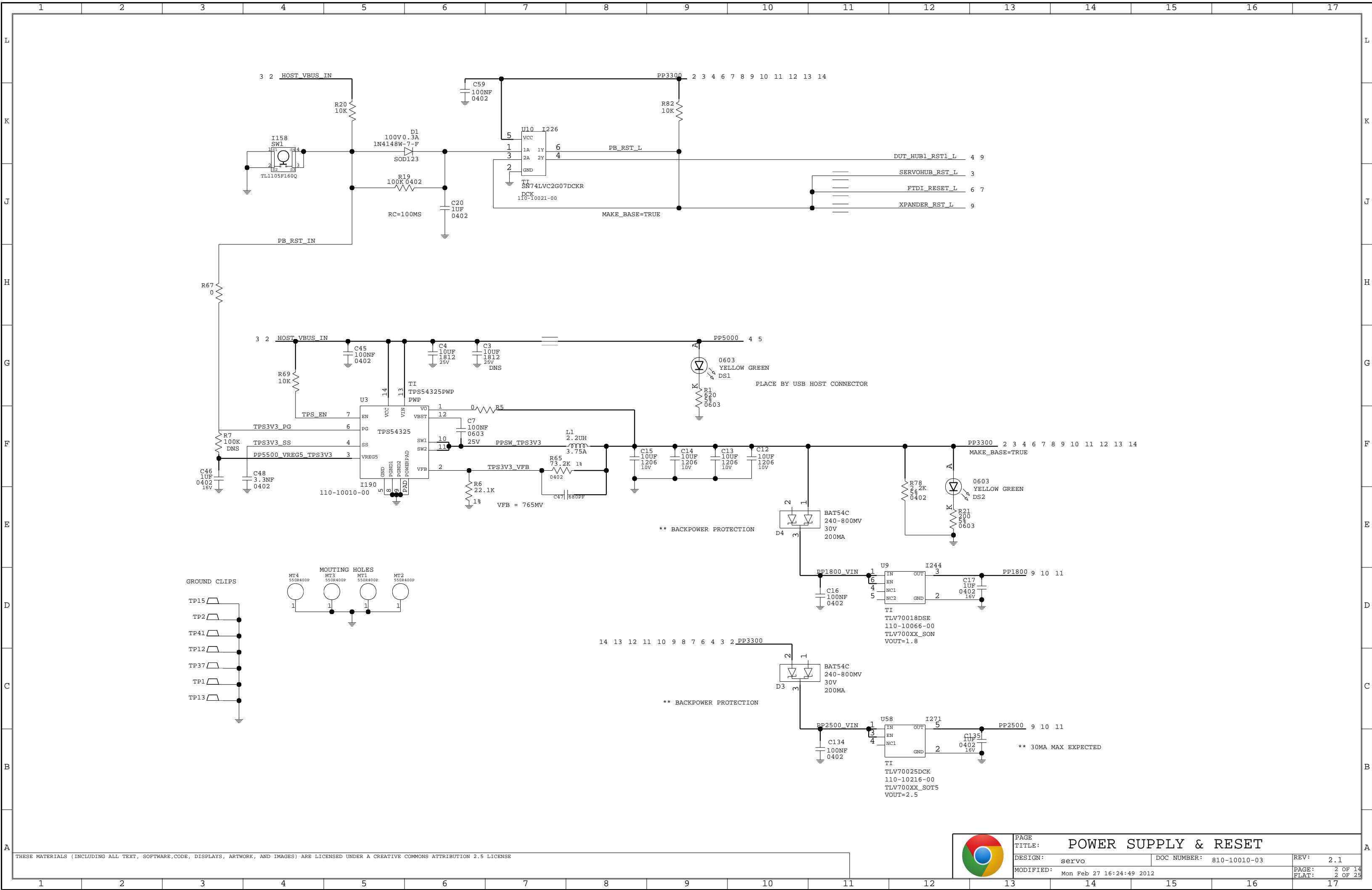
## TABLE OF CONTENTS

SHEET NO.	SHEET NAME
1	SERVO TOC
2	POWER SUPPLY & RESET
3	SERVO USB HUB
4	USB HUB + ETH (TOP)
5	DUT USB & USB CAM
6	FTDI I
7	FTDI II
8	USB/UART KEYBOARD EMUL
9	GPIO IO EXPANDERS
10	JTAG BUFFERS & I2C MUX
11	SPI BUFFERS
12	UART BUFFERS
13	V1 (LEGACY) DEBUG CONN
14	V2 DEBUG CONN
15	USB PWR, FILTER & MUX
16	USB HUB AND ETHERNET
17	USB PWR, FILTER & MUX
18	USB PWR, FILTER & MUX
19	USB PWR, FILTER & MUX
20	USB PWR & FILTER
21	3.3,2.5,1.8 LOAD SWITCHES
22	3.3,2.5,1.8 LOAD SWITCHES
23	3.3,2.5,1.8 LOAD SWITCHES
24	3.3,2.5,1.8 LOAD SWITCHES
25	3.3,2.5,1.8 LOAD SWITCHES

I2C ADDRESS MAP			
DESCRIPTION	I2C BUS	SPEED	I2C ADDRESS
RFU CH0	I2C_LOCAL_ADC_CH0	400KHZ	7'H_0XXX
RFU CH1	I2C_LOCAL_ADC_CH1	400KHZ	7'H_0XXX
DUT I2C	I2C_REMOTE_ADC	400KHZ	7'H_0XXX
IO EXPANDER READ-ONLY	FTDI_I2C	400KHZ	7'H_0X20
IO EXPANDERS	FTDI_I2C	400KHZ	7'H_0X21=0X24

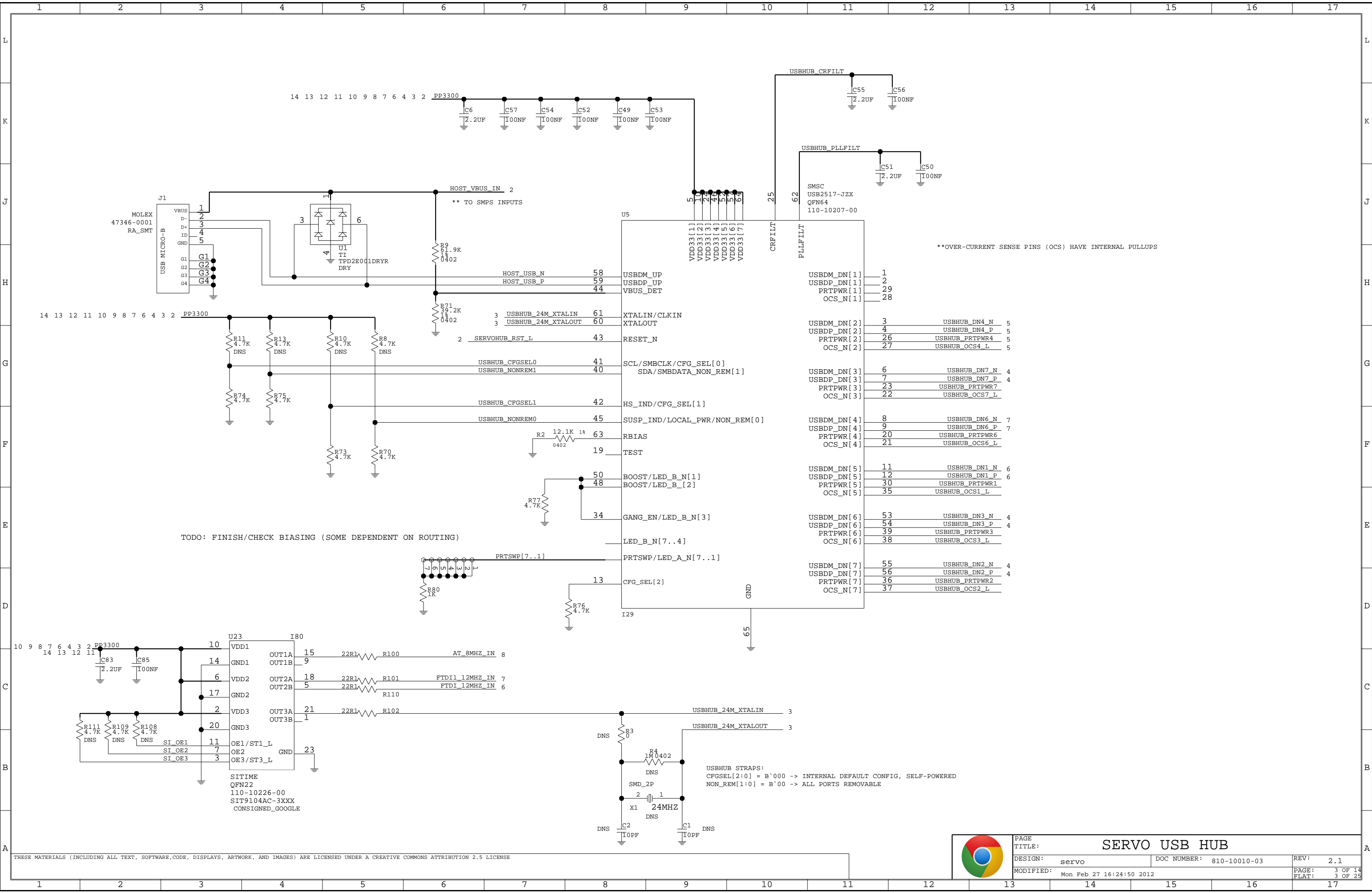
\* THE FTDI IS THE I2C MASTER AND IS SOURCED ON FTDI\_I2C BUS. OTHER BUSES ARE STEERED ONTO FTDI\_I2C BY ANALOG MUX (SEE PAGE XX).





PAGE TITLE: <b>POWER SUPPLY &amp; RESET</b>	
DESIGN: servo	DOC NUMBER: 810-10010-03
MODIFIED: Mon Feb 27 16:24:49 2012	REV: 2.1
	PAGE: 2 OF 14
	FLAT: 2 OF 25

THESE MATERIALS (INCLUDING ALL TEXT, SOFTWARE CODE, DISPLAYS, ARTWORK, AND IMAGES) ARE LICENSED UNDER A CREATIVE COMMONS ATTRIBUTION 2.5 LICENSE

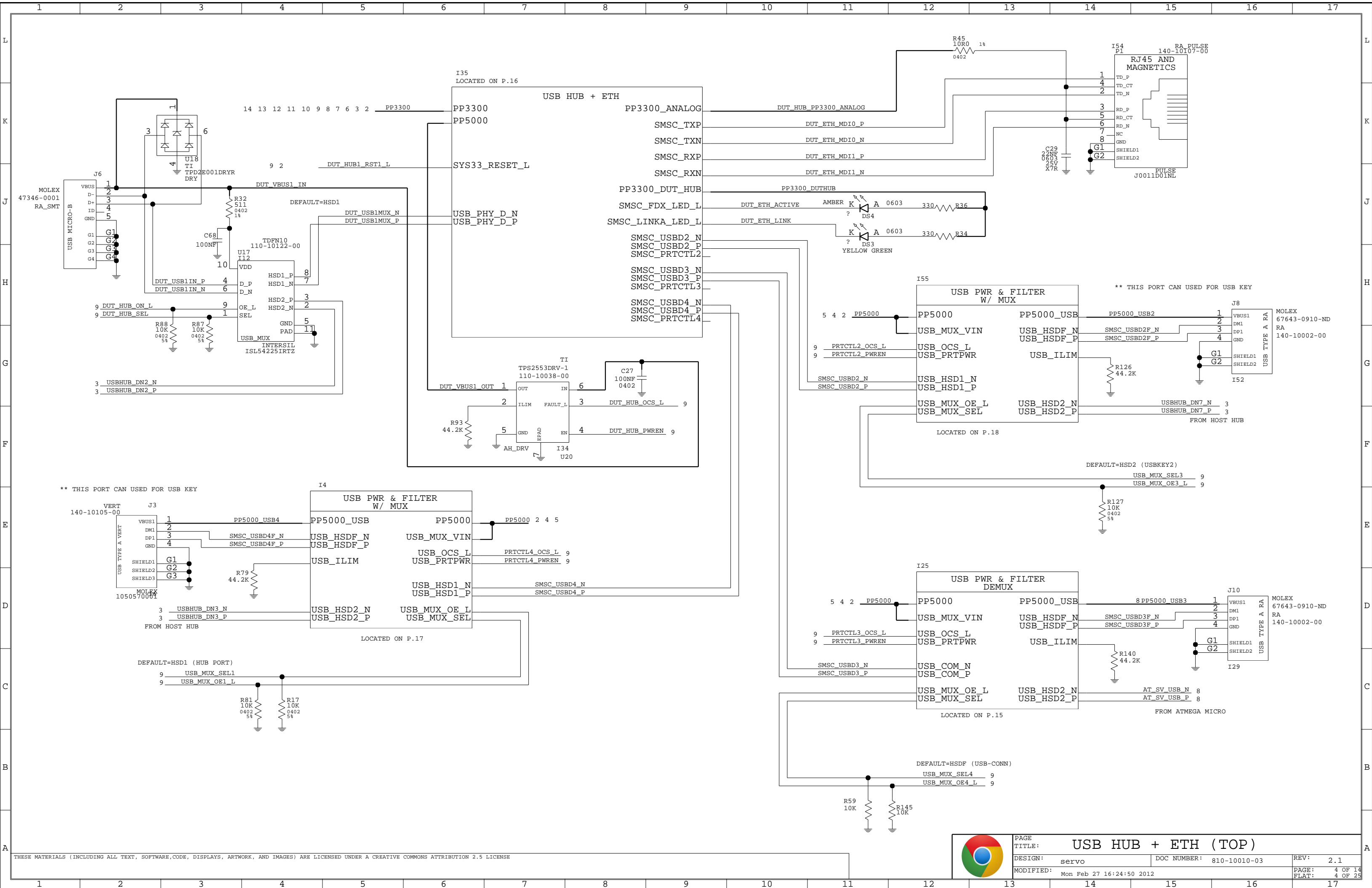


TODO: FINISH/CHECK BIASING (SOME DEPENDENT ON ROUTING)

USBHUB STRAPS:  
 CFGSEL[2:0] = B'000 -> INTERNAL DEFAULT CONFIG, SELF-POWERED  
 NON\_REM[1:0] = B'00 -> ALL PORTS REMOVABLE

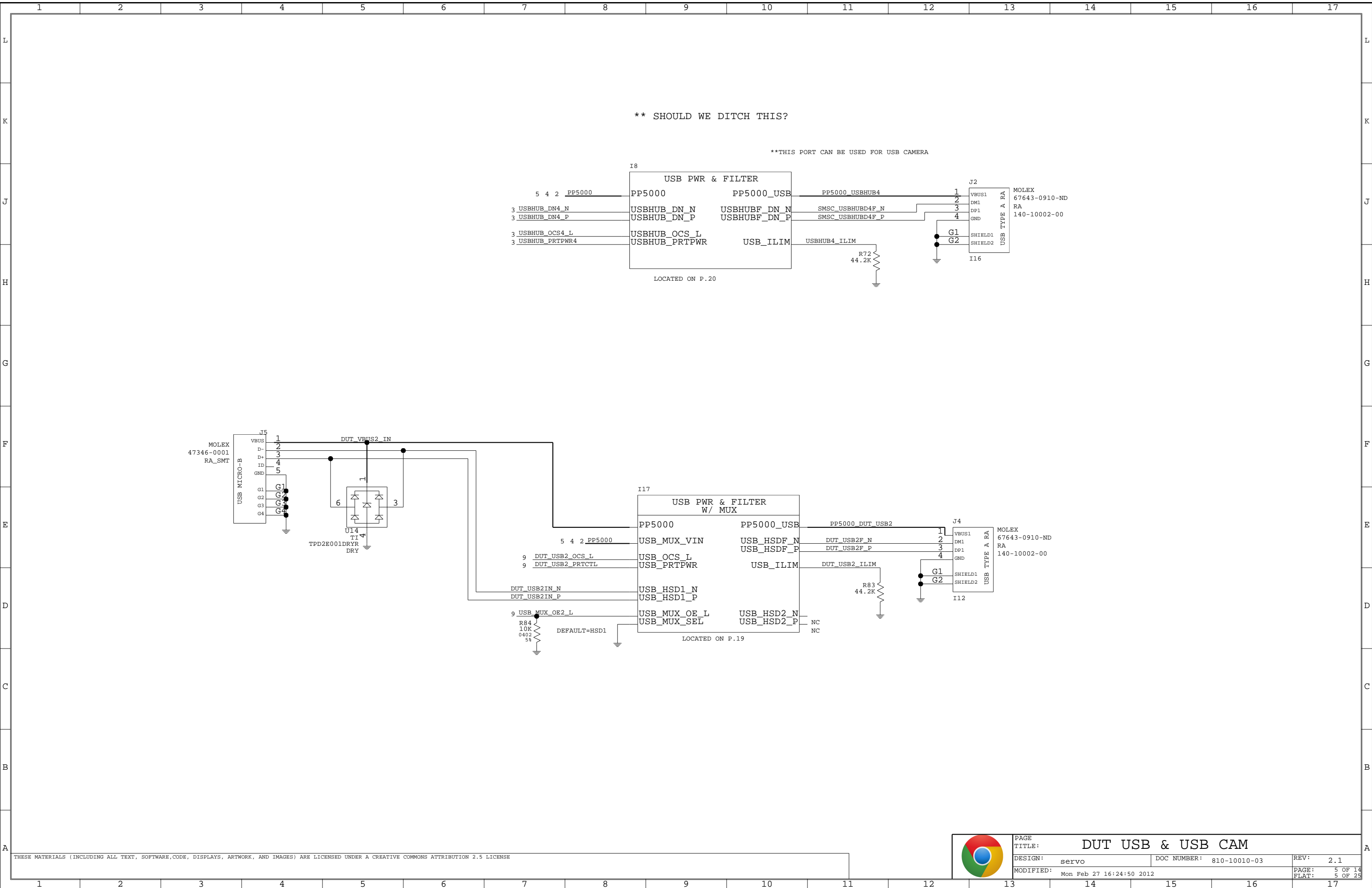


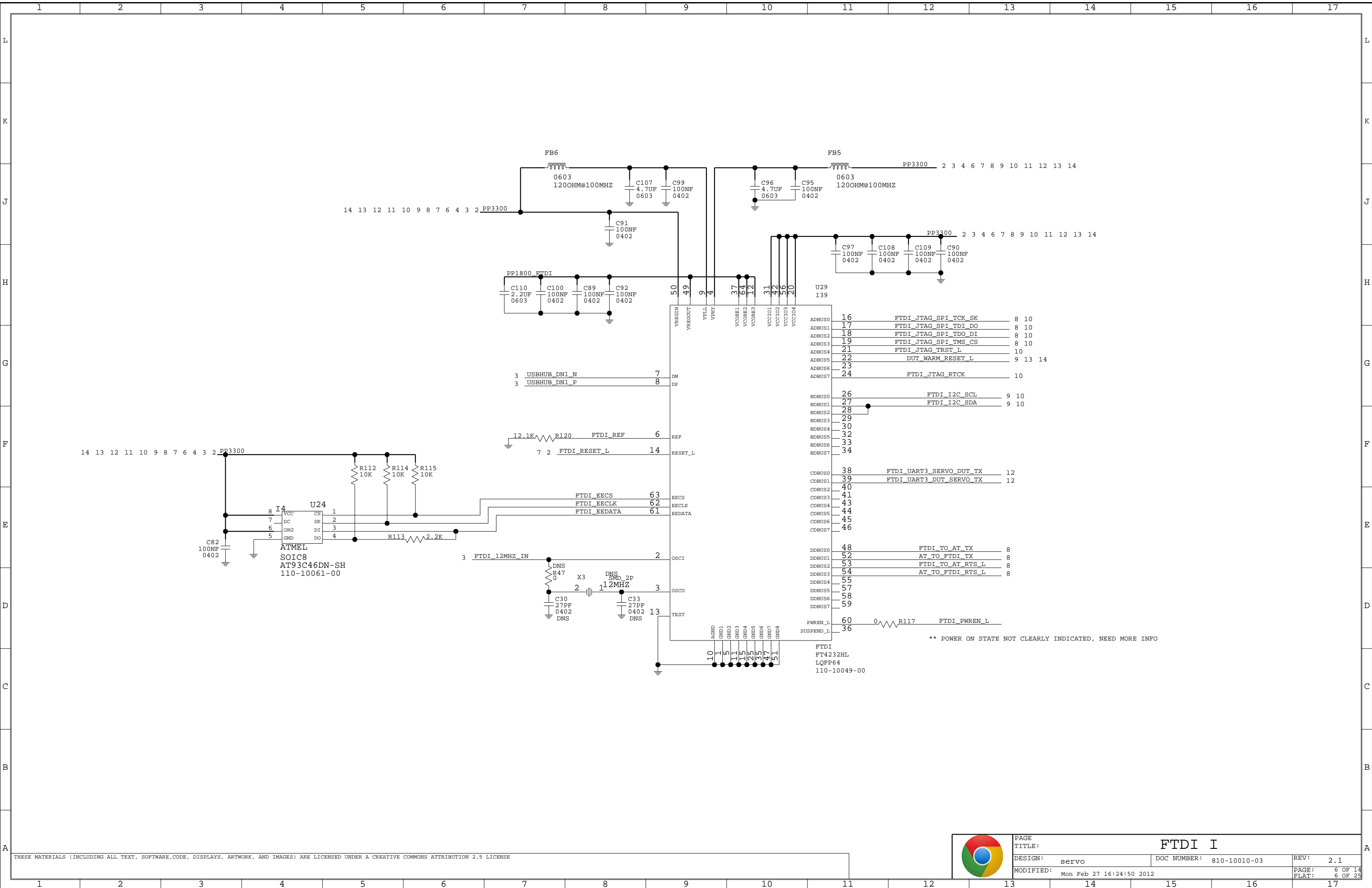
PAGE TITLE: SERVO USB HUB	
DESIGN: servo	DOC NUMBER: 810-10010-03
MODIFIED: Mon Feb 27 16:24:50 2012	REV: 2.1
	PAGE: 3 OF 14
	FLAT: 3 OF 25



THESE MATERIALS (INCLUDING ALL TEXT, SOFTWARE, CODE, DISPLAYS, ARTWORK, AND IMAGES) ARE LICENSED UNDER A CREATIVE COMMONS ATTRIBUTION 2.5 LICENSE

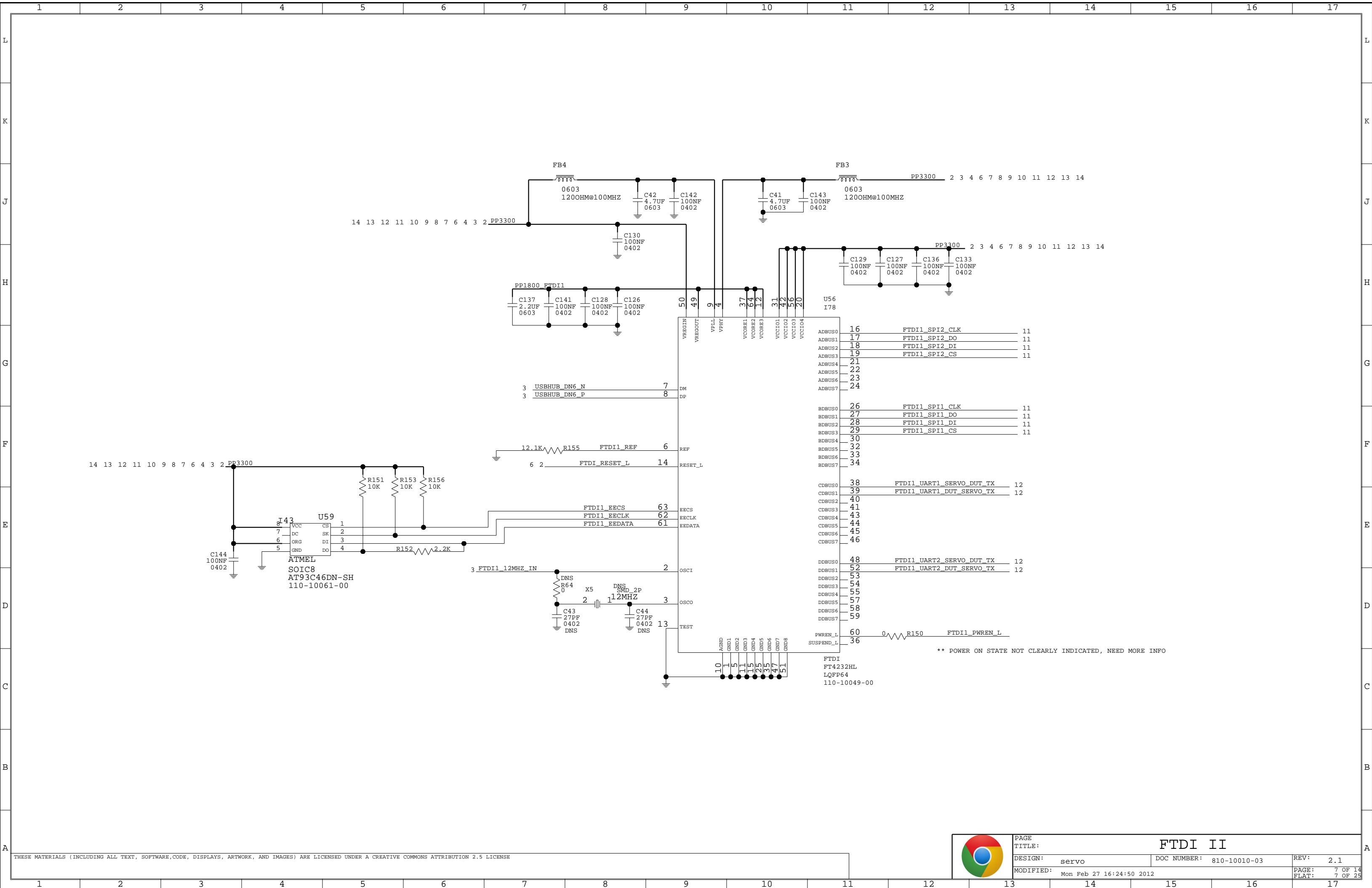






\*\* POWER ON STATE NOT CLEARLY INDICATED, NEED MORE INFO



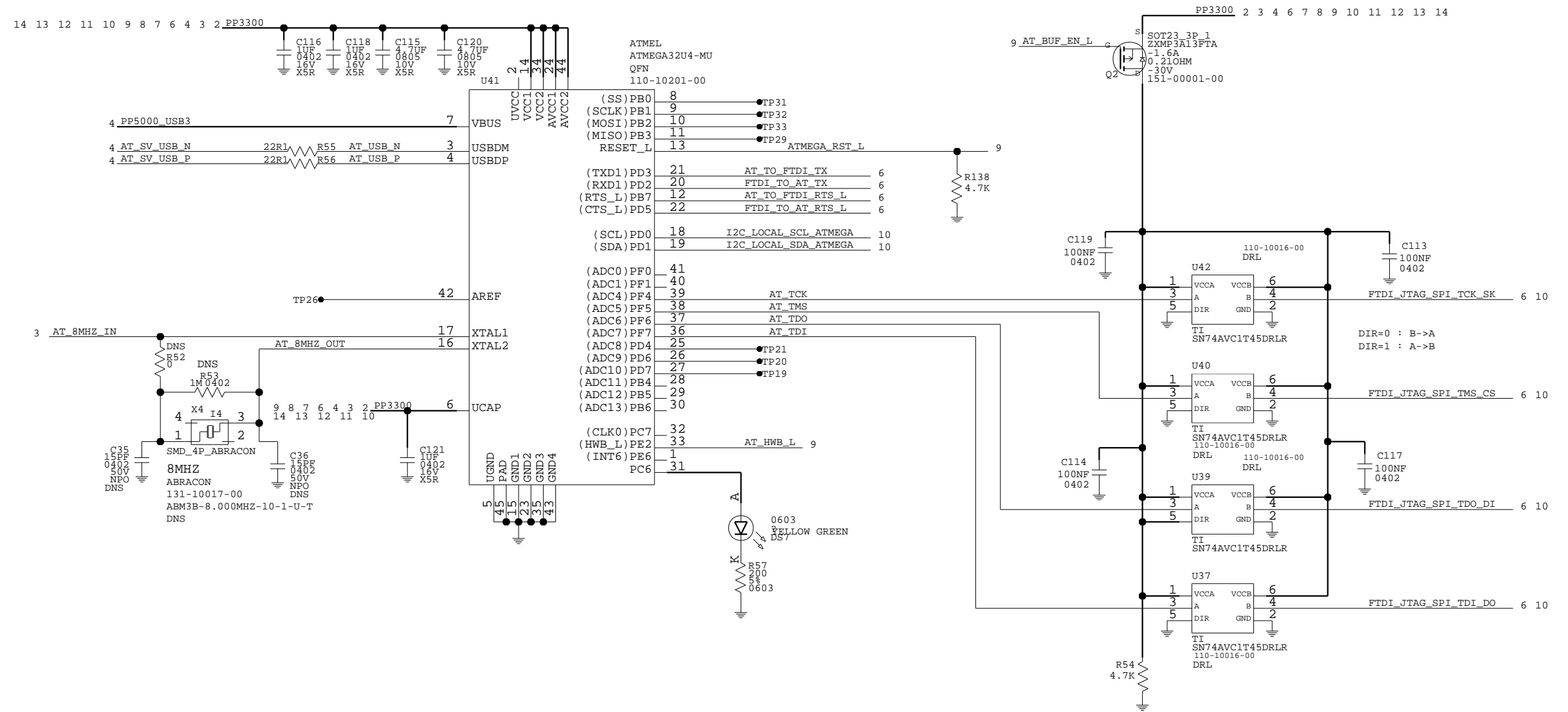


THESE MATERIALS (INCLUDING ALL TEXT, SOFTWARE CODE, DISPLAYS, ARTWORK, AND IMAGES) ARE LICENSED UNDER A CREATIVE COMMONS ATTRIBUTION 2.5 LICENSE

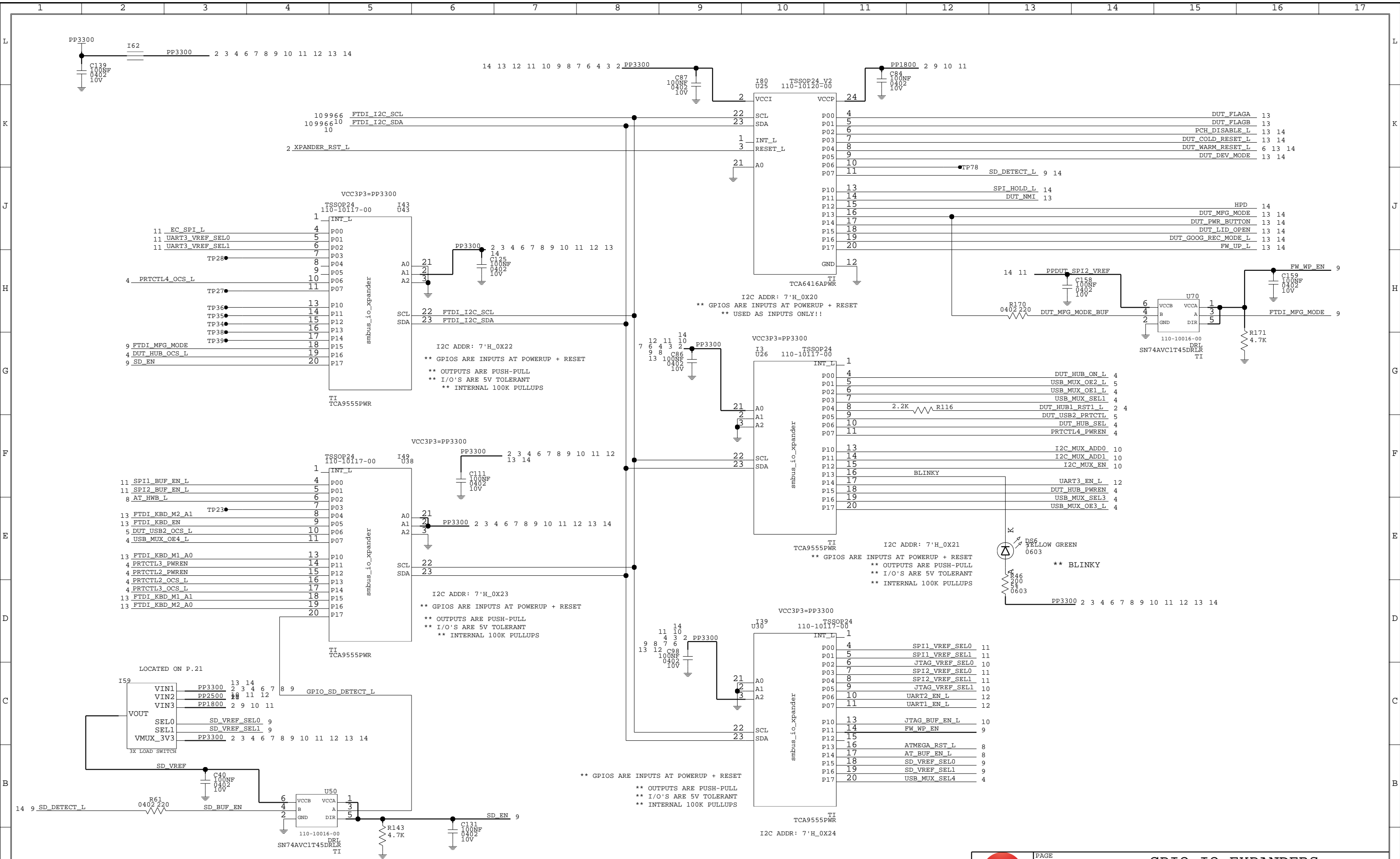


PAGE TITLE:		FTDI II	
DESIGN:	servo	DOC NUMBER:	810-10010-03
MODIFIED:	Mon Feb 27 16:24:50 2012	REV:	2.1
		PAGE:	7 OF 14
		FLAT:	7 OF 25

# UART TO USB KEYBOARD EMULATION

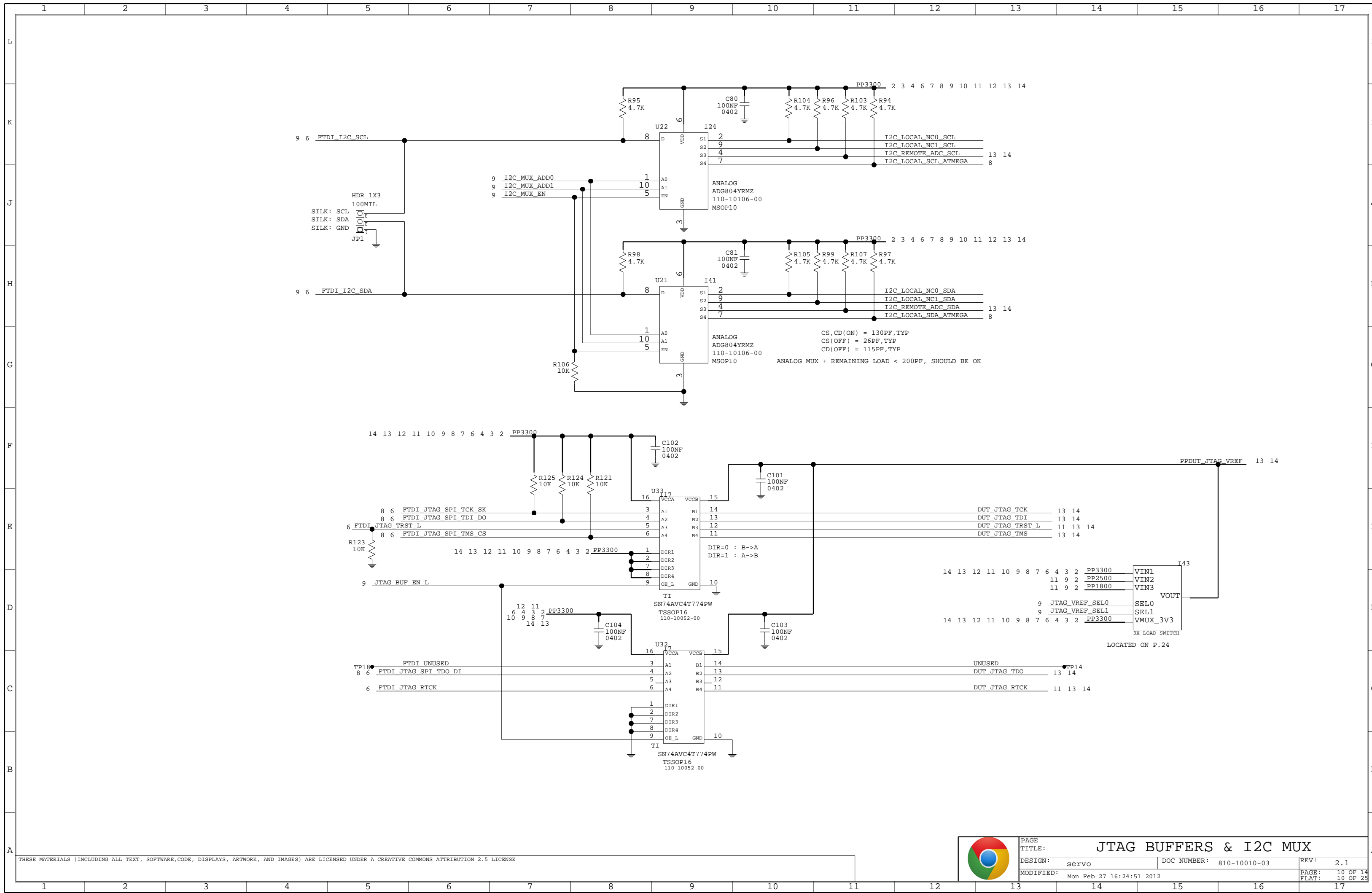






THESE MATERIALS (INCLUDING ALL TEXT, SOFTWARE CODE, DISPLAYS, ARTWORK, AND IMAGES) ARE LICENSED UNDER A CREATIVE COMMONS ATTRIBUTION 2.5 LICENSE

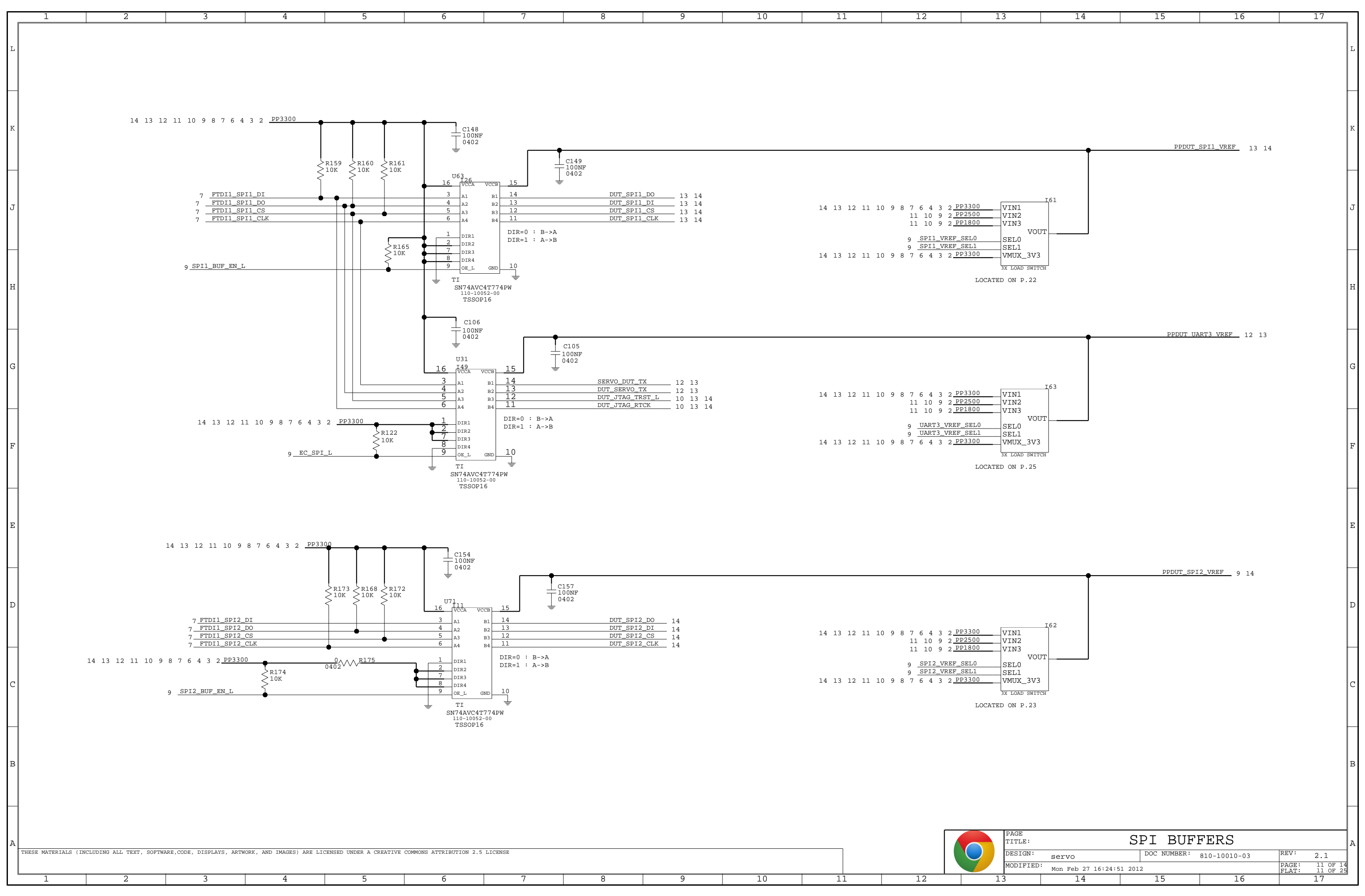




THESE MATERIALS (INCLUDING ALL TEXT, SOFTWARE CODE, DISPLAYS, ARTWORK, AND IMAGES) ARE LICENSED UNDER A CREATIVE COMMONS ATTRIBUTION 2.5 LICENSE



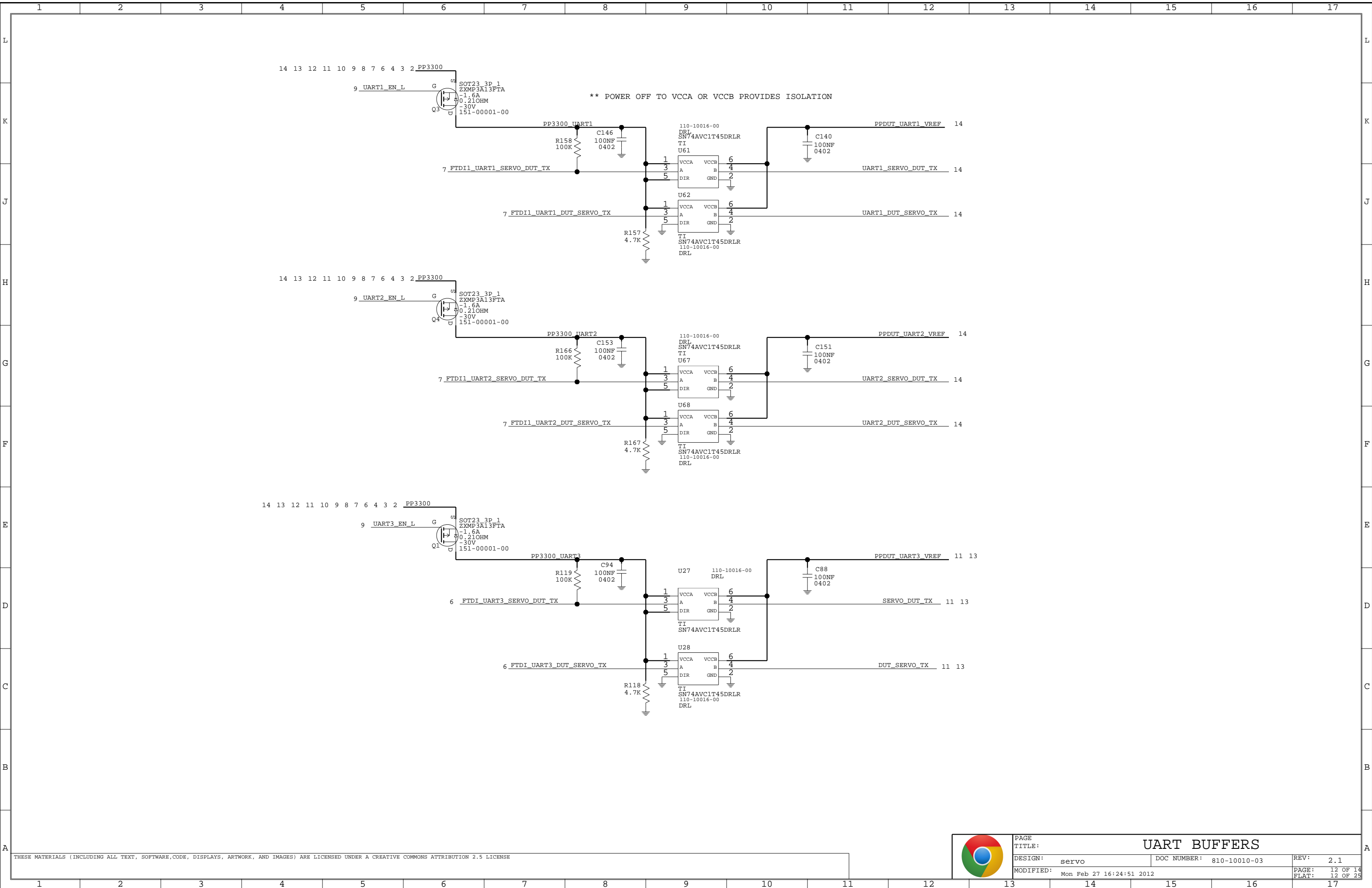
PAGE TITLE: JTAG BUFFERS & I2C MUX	
DESIGN: servo	DOC NUMBER: 810-10010-03
REV: 2.1	
MODIFIED: Mon Feb 27 16:24:51 2012	PAGE: 10 OF 14
	FLAT: 10 OF 25



THESE MATERIALS (INCLUDING ALL TEXT, SOFTWARE CODE, DISPLAYS, ARTWORK, AND IMAGES) ARE LICENSED UNDER A CREATIVE COMMONS ATTRIBUTION 2.5 LICENSE



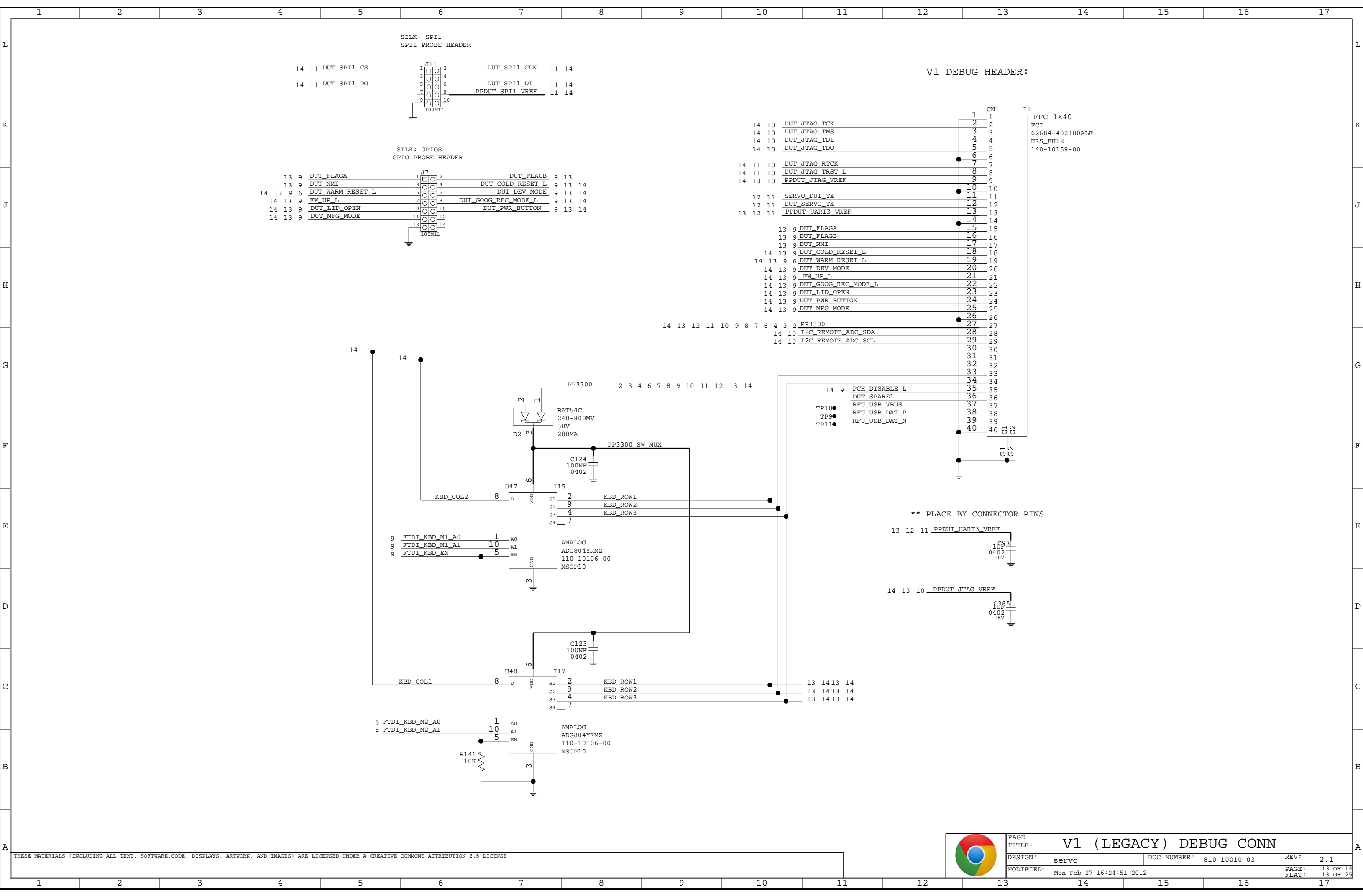
PAGE TITLE:		<b>SPI BUFFERS</b>	
DESIGN:	servo	DOC NUMBER:	810-10010-03
MODIFIED:	Mon Feb 27 16:24:51 2012	REV:	2.1
		PAGE:	11 OF 14
		FLAT:	11 OF 25



THESE MATERIALS (INCLUDING ALL TEXT, SOFTWARE CODE, DISPLAYS, ARTWORK, AND IMAGES) ARE LICENSED UNDER A CREATIVE COMMONS ATTRIBUTION 2.5 LICENSE



PAGE TITLE:		<b>UART BUFFERS</b>	
DESIGN:	servo	DOC NUMBER:	810-10010-03
MODIFIED:	Mon Feb 27 16:24:51 2012	REV:	2.1
		PAGE:	12 OF 14
		FLAT:	12 OF 25

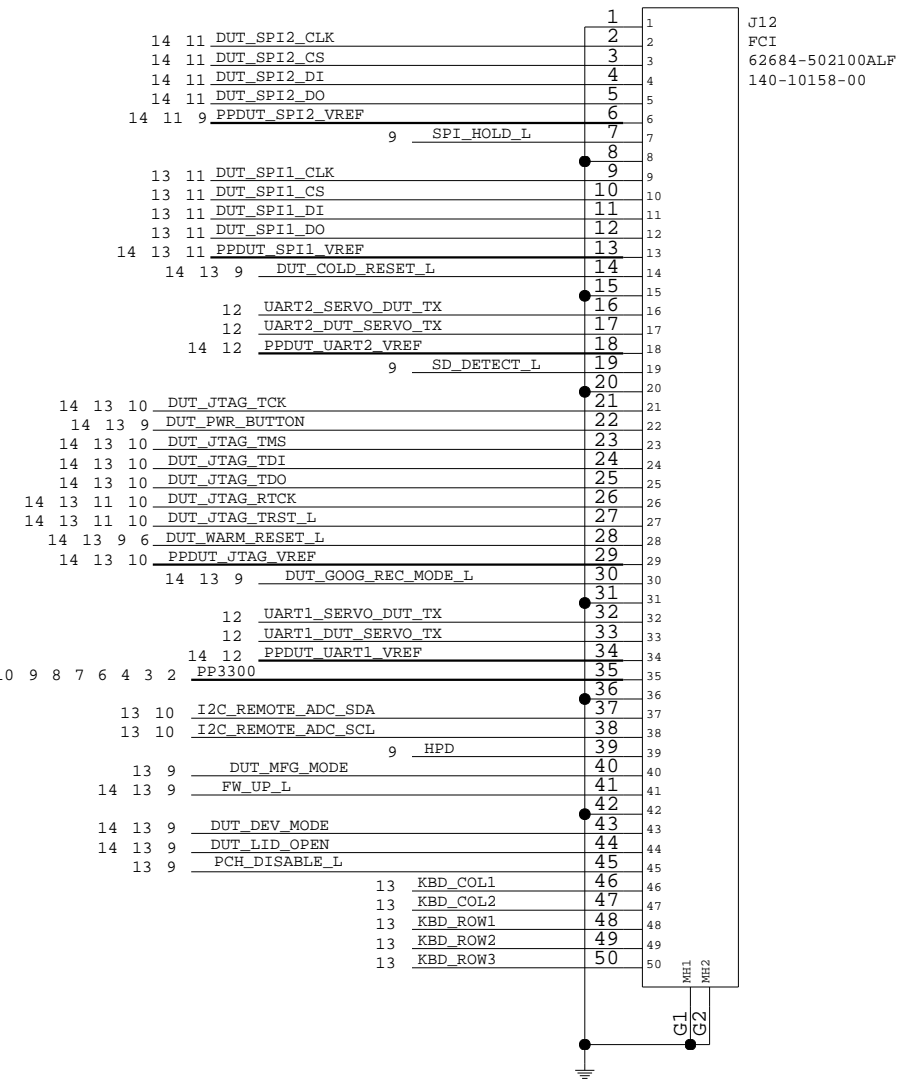


THESE MATERIALS (INCLUDING ALL TEXT, SOFTWARE CODE, DISPLAYS, ARTWORK, AND IMAGES) ARE LICENSED UNDER A CREATIVE COMMONS ATTRIBUTION 2.5 LICENSE

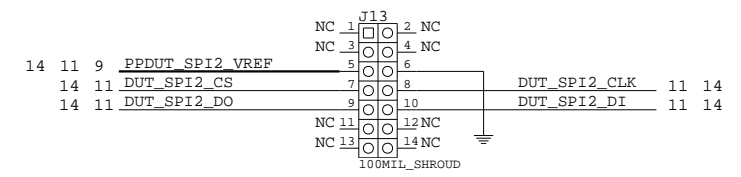
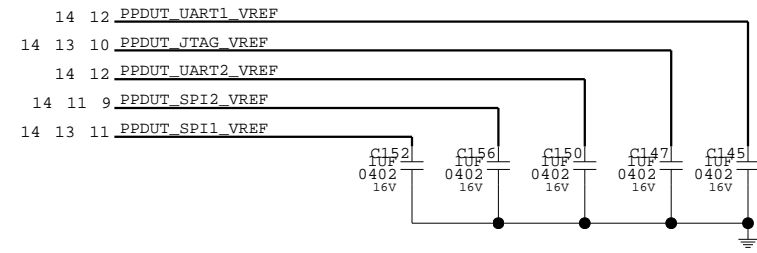


PAGE TITLE: <b>V1 (LEGACY) DEBUG CONN</b>		REV: 2.1
DESIGN: servo	DOC NUMBER: 810-10010-03	PAGE: 13 OF 14
MODIFIED: Mon Feb 27 16:24:51 2012		FLAT: 13 OF 25

V2 DEBUG HEADER:

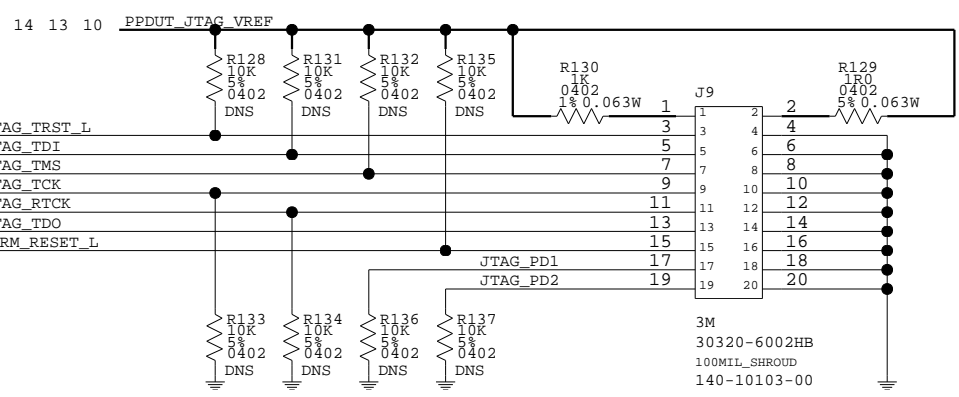
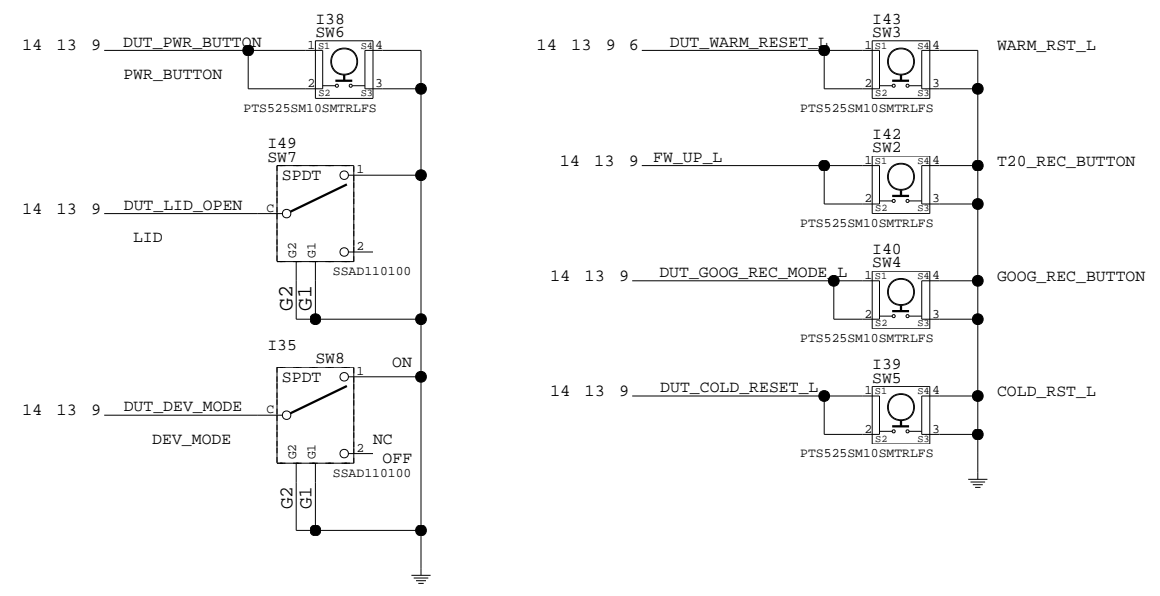


\*\* PLACE BY CONNECTOR PINS



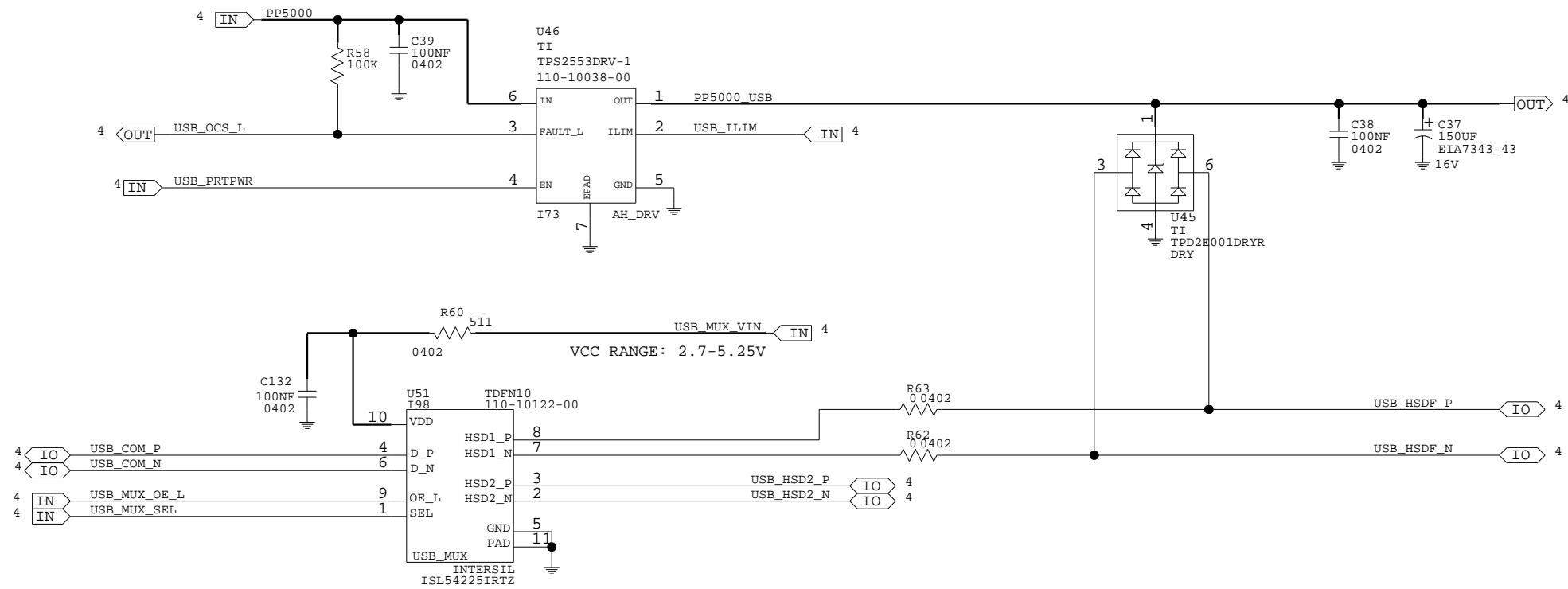
SILK: DEDIPROG/SPI2  
SPI2 PROBE HEADER

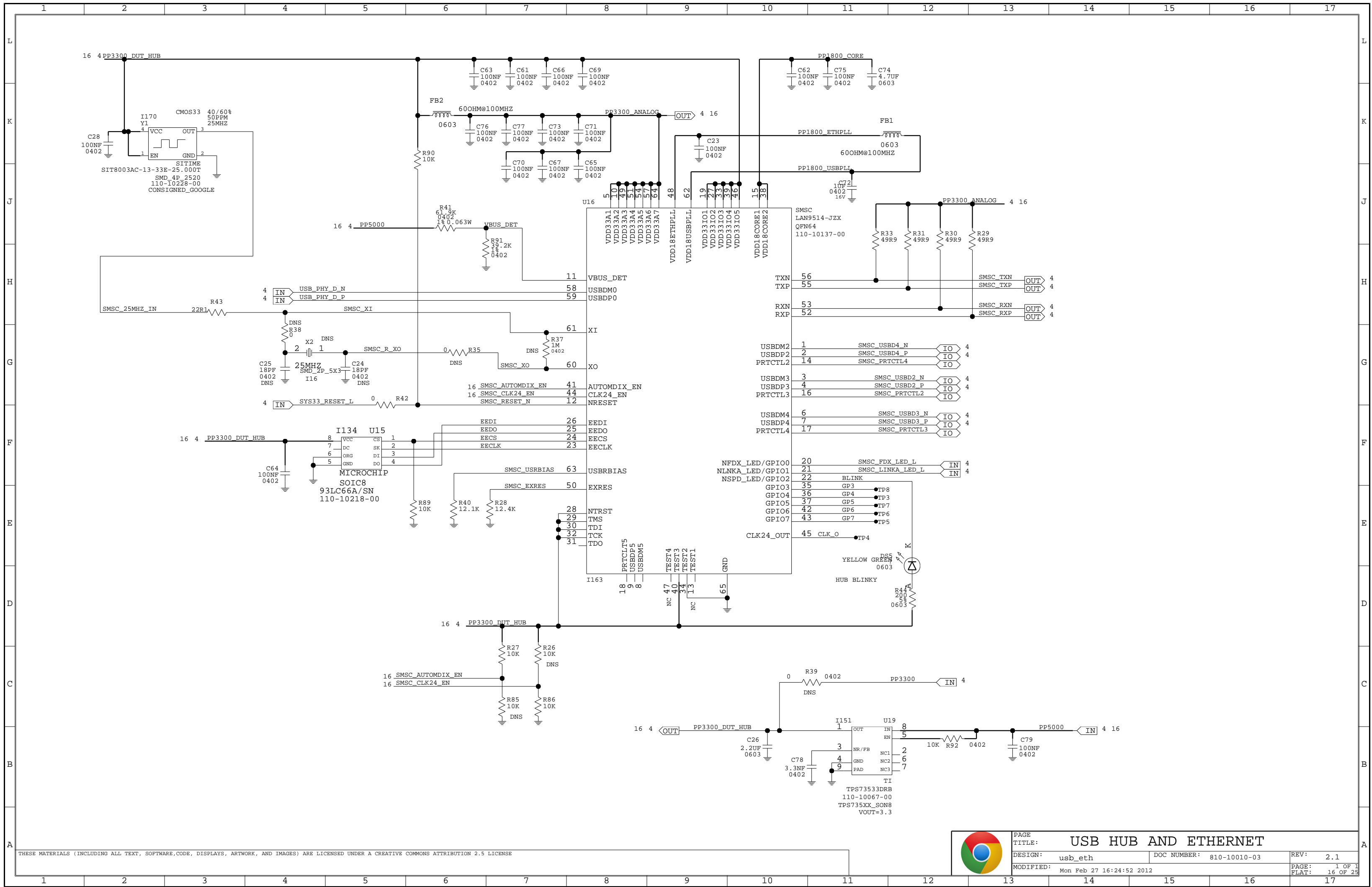
LABEL AND ARRANGE THESE IN A LOGICAL ORDER



SILK: JTAG  
JTAG PROBE HEADER





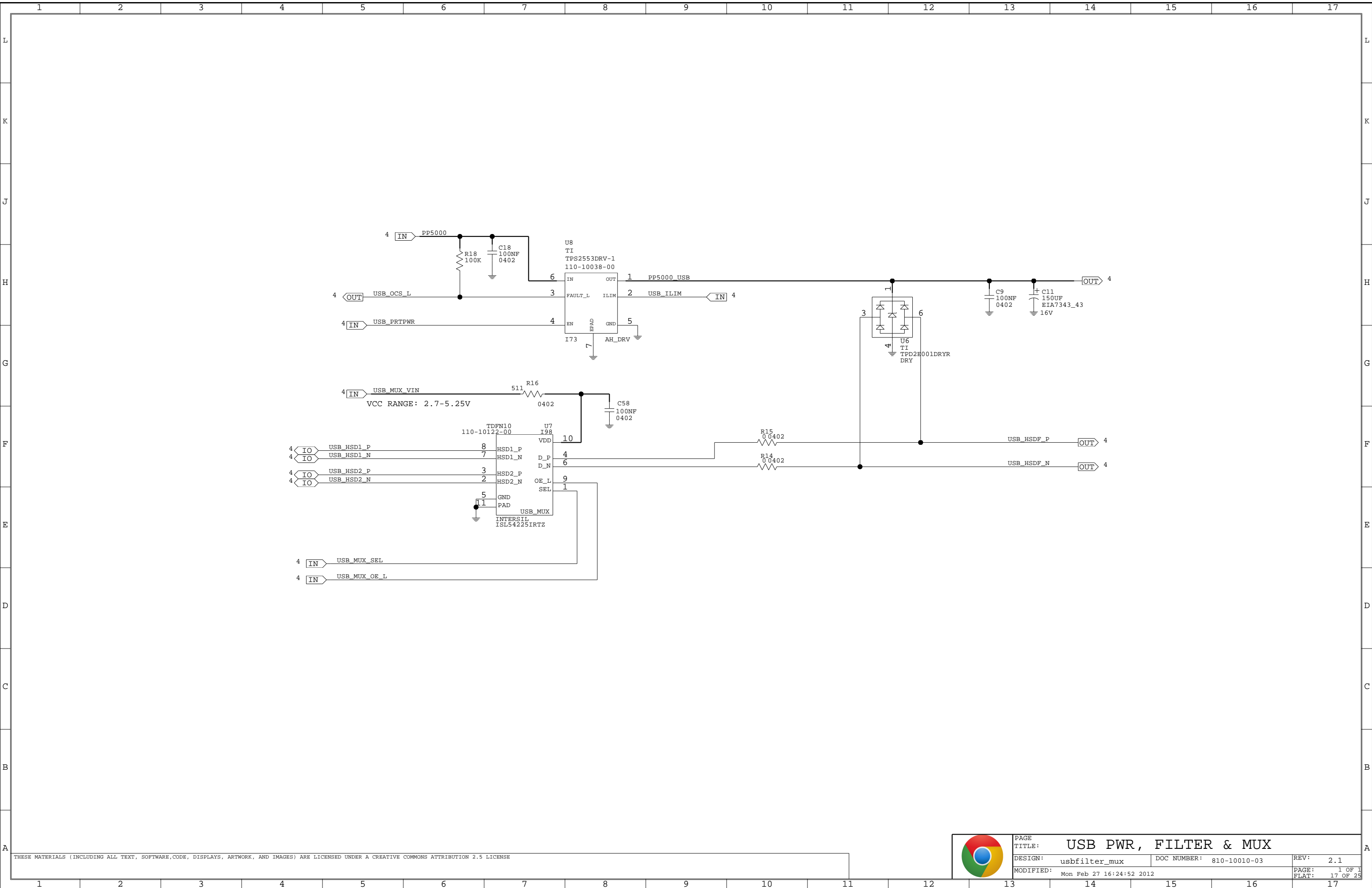


THESE MATERIALS (INCLUDING ALL TEXT, SOFTWARE CODE, DISPLAYS, ARTWORK, AND IMAGES) ARE LICENSED UNDER A CREATIVE COMMONS ATTRIBUTION 2.5 LICENSE



PAGE TITLE: <b>USB HUB AND ETHERNET</b>	
DESIGN: <b>usb_eth</b>	DOC NUMBER: <b>810-10010-03</b>
REV: <b>2.1</b>	
MODIFIED: <b>Mon Feb 27 16:24:52 2012</b>	PAGE: <b>1 OF 1</b>
	FLAT: <b>16 OF 25</b>

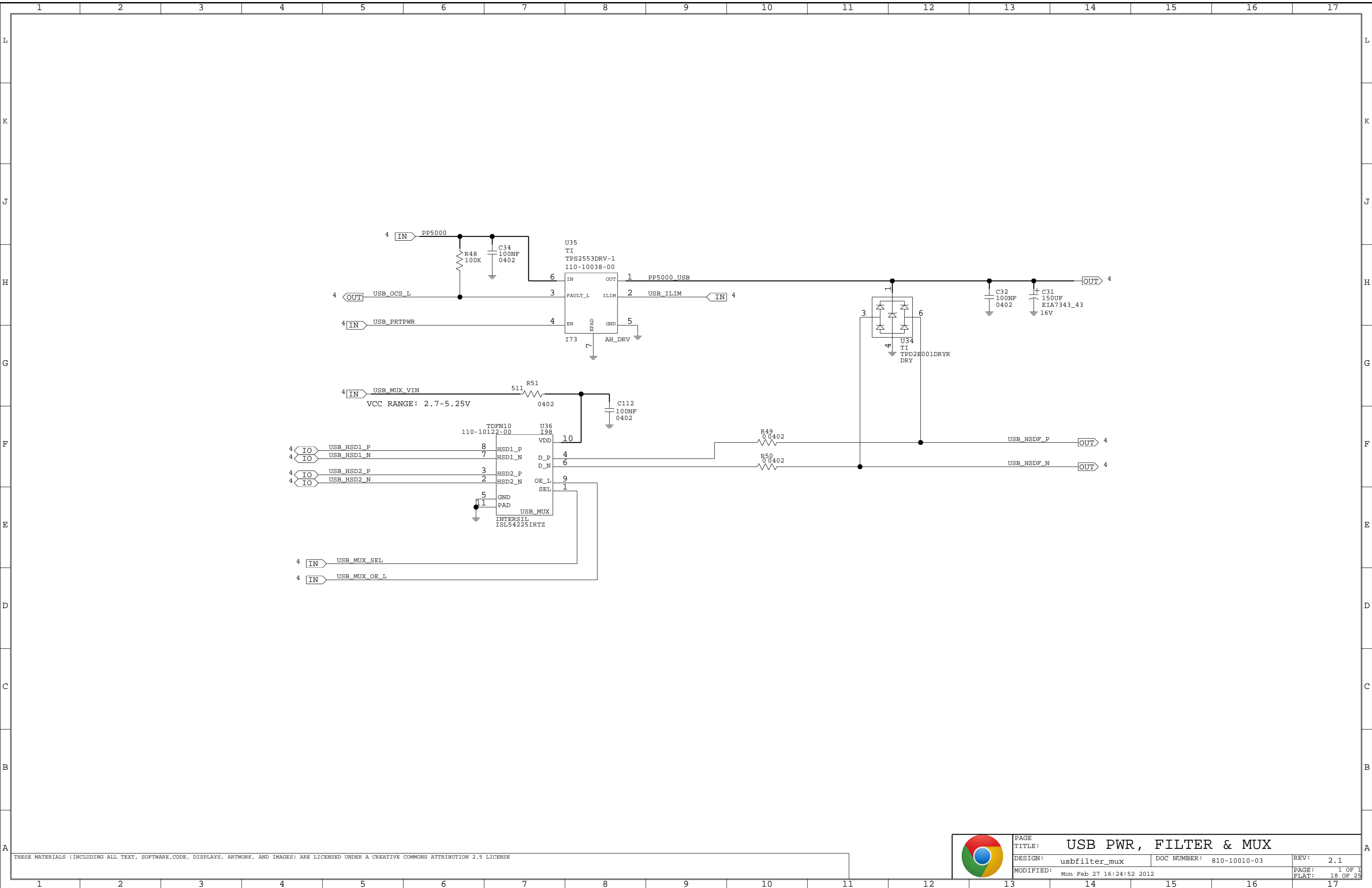




THESE MATERIALS (INCLUDING ALL TEXT, SOFTWARE CODE, DISPLAYS, ARTWORK, AND IMAGES) ARE LICENSED UNDER A CREATIVE COMMONS ATTRIBUTION 2.5 LICENSE



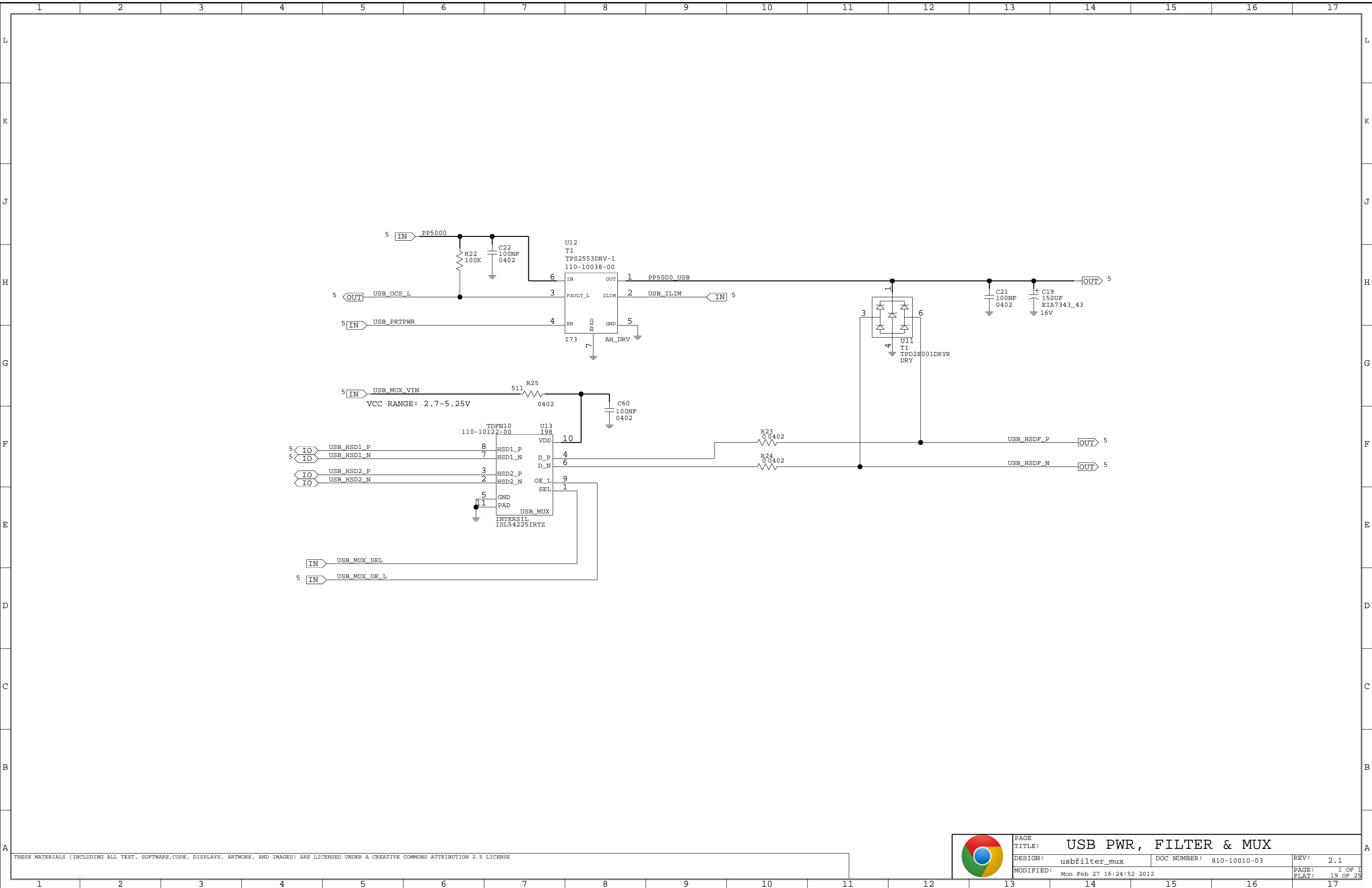
PAGE TITLE: <b>USB PWR, FILTER &amp; MUX</b>		
DESIGN: usbfilter_mux	DOC NUMBER: 810-10010-03	REV: 2.1
MODIFIED: Mon Feb 27 16:24:52 2012		PAGE: 1 OF 1 FLAT: 17 OF 25



THESE MATERIALS (INCLUDING ALL TEXT, SOFTWARE, CODE, DISPLAYS, ARTWORK, AND IMAGES) ARE LICENSED UNDER A CREATIVE COMMONS ATTRIBUTION 2.5 LICENSE



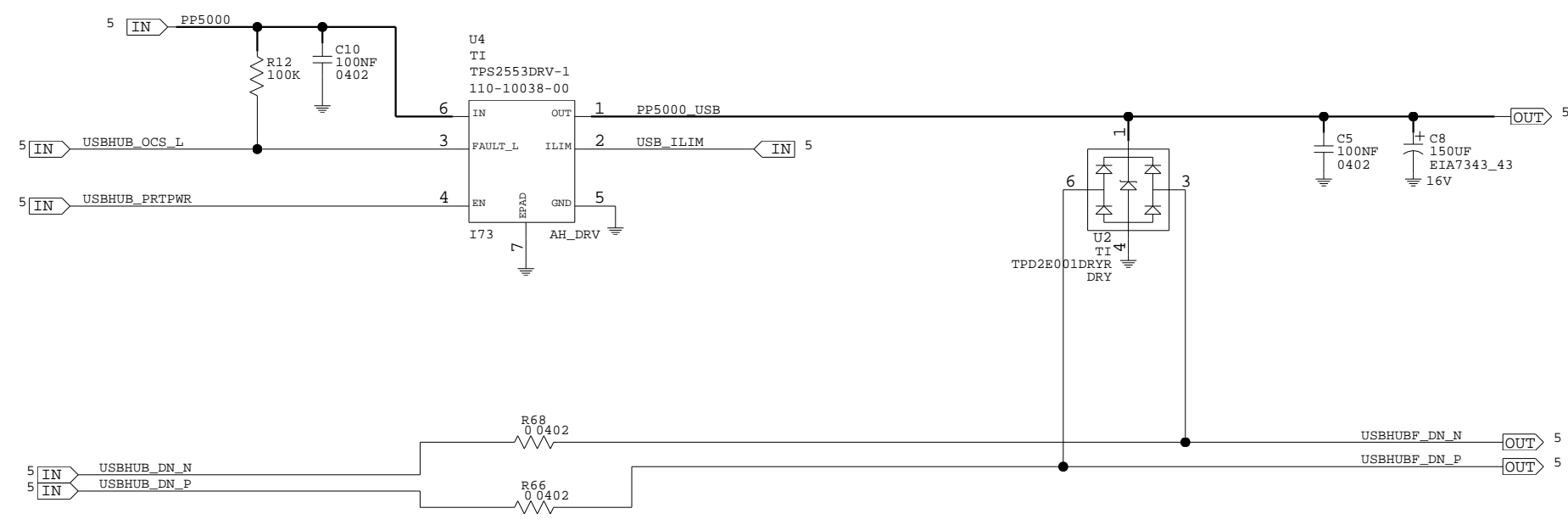
PAGE TITLE: <b>USB PWR, FILTER &amp; MUX</b>		
DESIGN: <b>usbfilter_mux</b>	DOC NUMBER: <b>810-10010-03</b>	REV: <b>2.1</b>
MODIFIED: <b>Mon Feb 27 16:24:52 2012</b>		PAGE: <b>1 OF 1</b> FLAT: <b>18 OF 25</b>

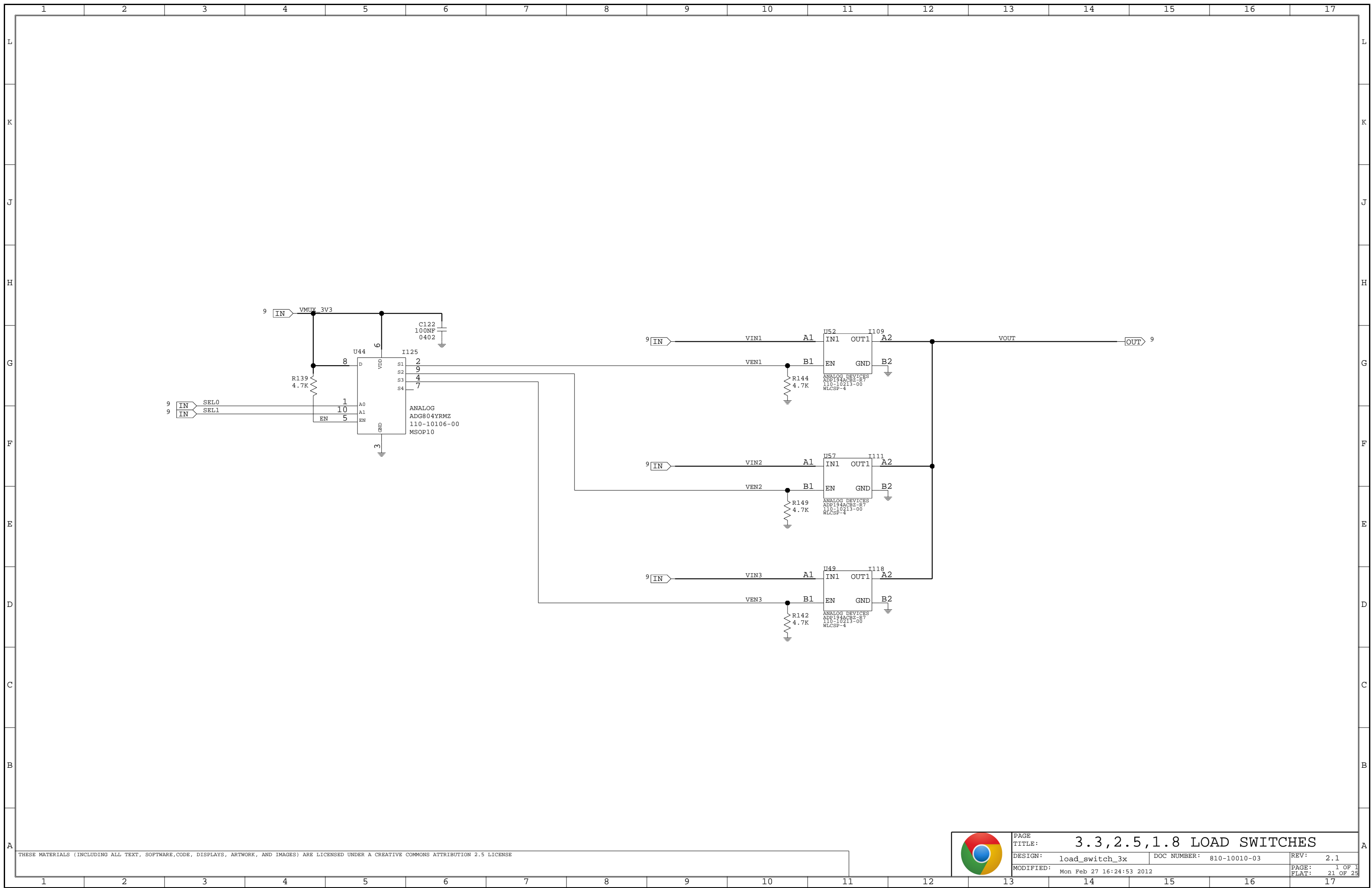


THESE MATERIALS (INCLUDING ALL TEXT, SOFTWARE, CODE, DISPLAYS, ARTWORK, AND IMAGES) ARE LICENSED UNDER A CREATIVE COMMONS ATTRIBUTION 2.5 LICENSE



PAGE TITLE: <b>USB PWR, FILTER &amp; MUX</b>		
DESIGN: <b>usbfilter_mux</b>	DOC NUMBER: <b>810-10010-03</b>	REV: <b>2.1</b>
MODIFIED: <b>Mon Feb 27 16:24:52 2012</b>	PAGE: <b>1 OF 1</b> FLAT: <b>19 OF 25</b>	

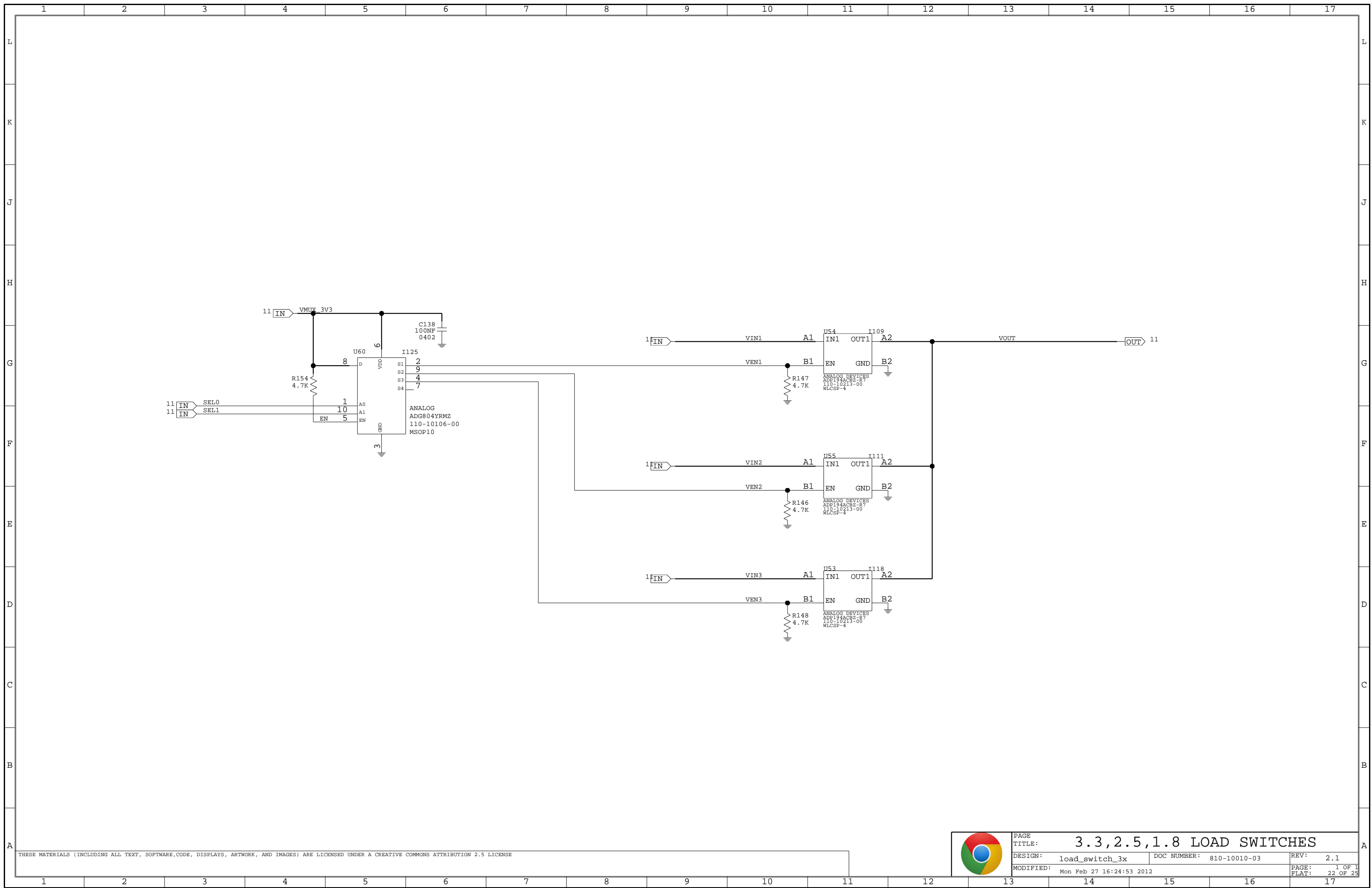


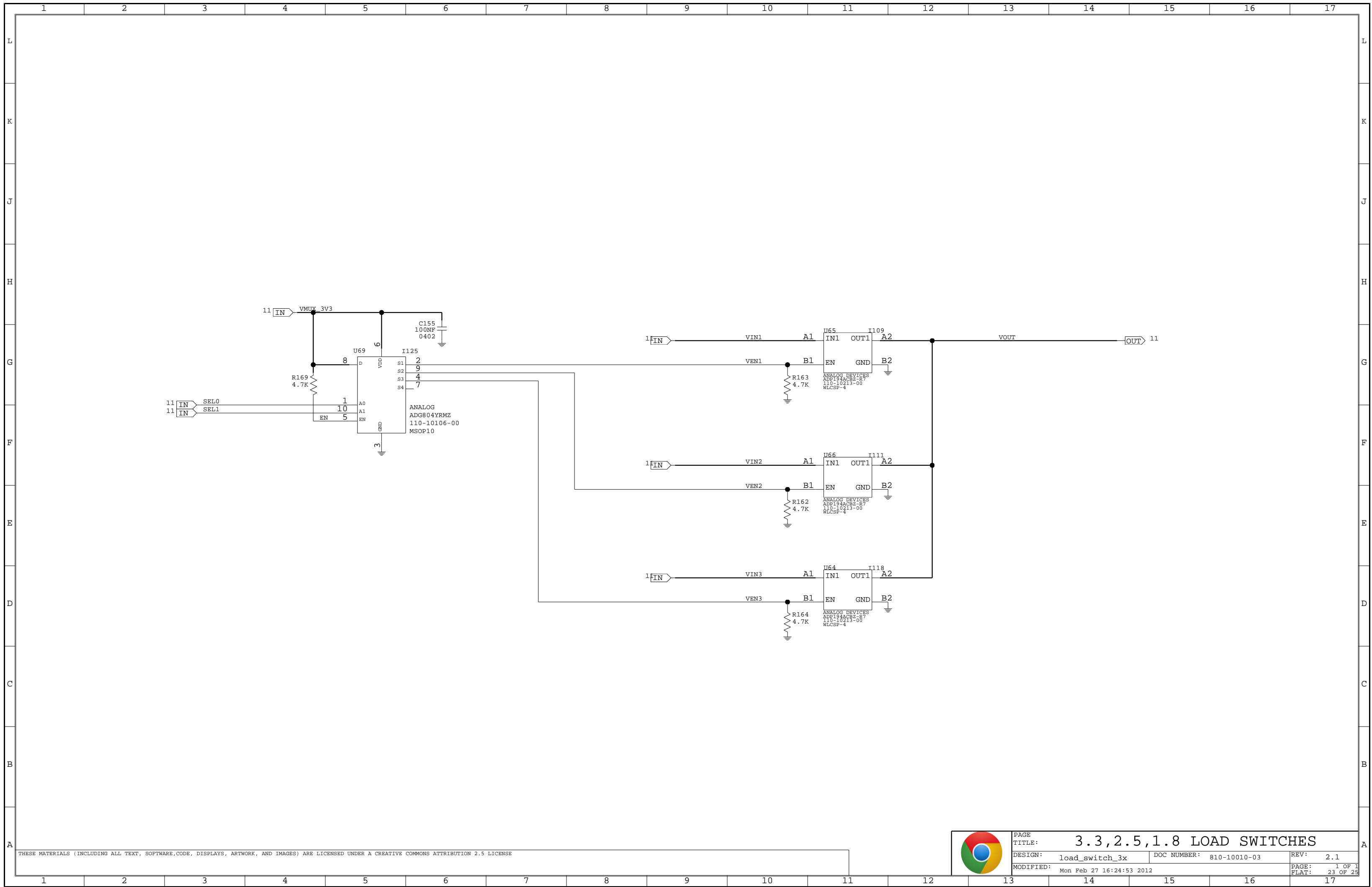


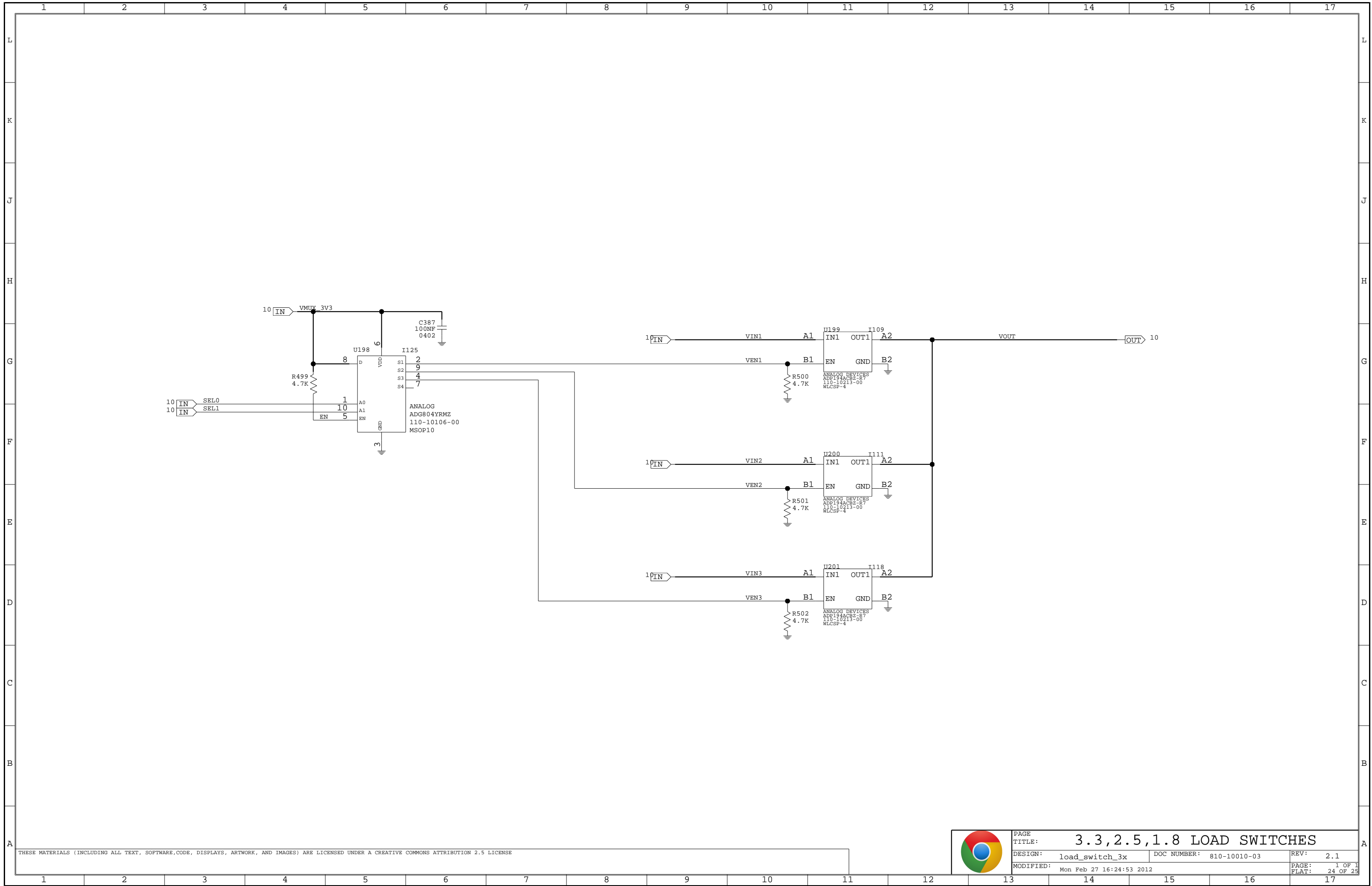
THESE MATERIALS (INCLUDING ALL TEXT, SOFTWARE, CODE, DISPLAYS, ARTWORK, AND IMAGES) ARE LICENSED UNDER A CREATIVE COMMONS ATTRIBUTION 2.5 LICENSE



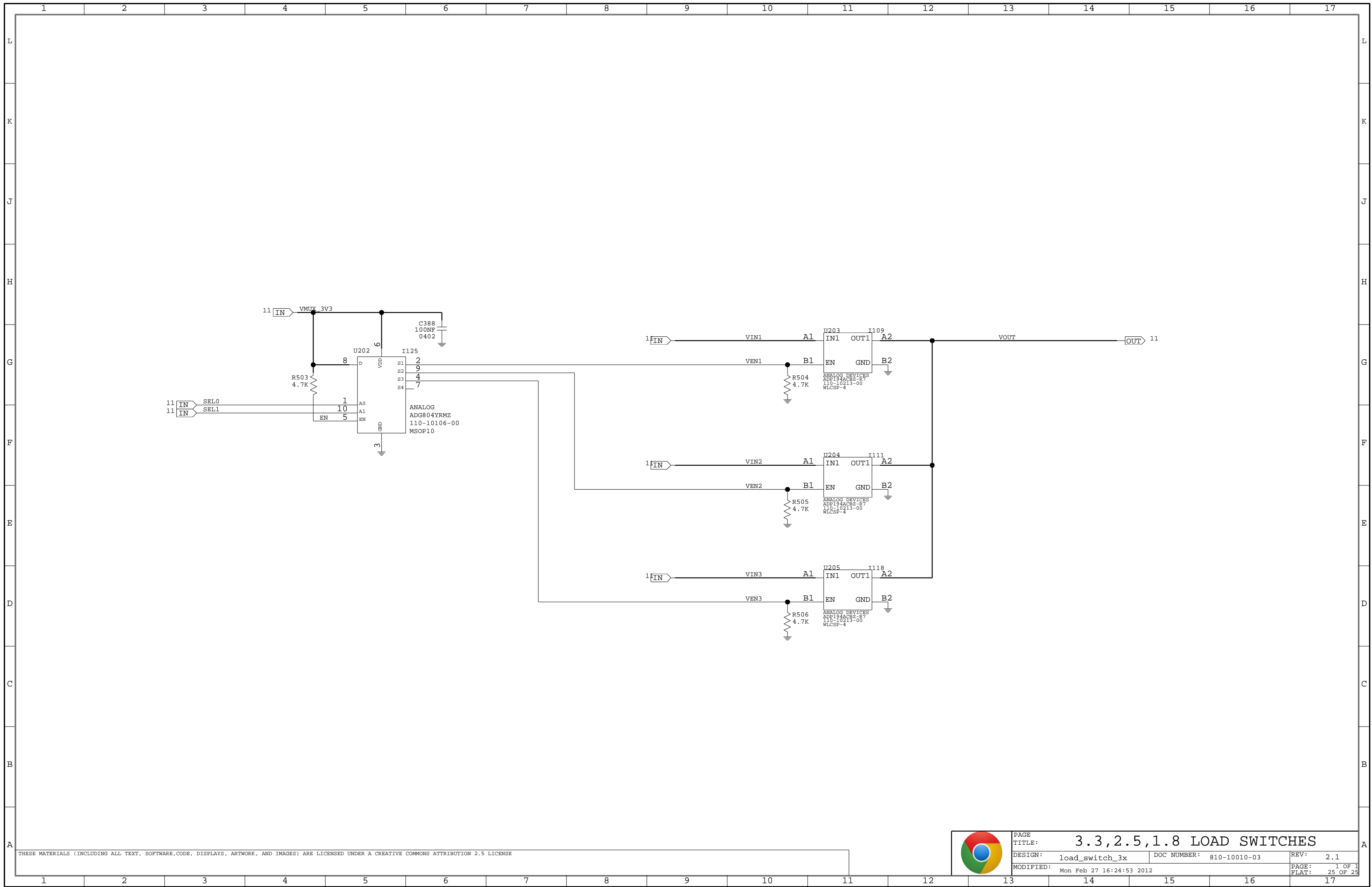
PAGE TITLE: 3.3, 2.5, 1.8 LOAD SWITCHES		
DESIGN: load_switch_3x	DOC NUMBER: 810-10010-03	REV: 2.1
MODIFIED: Mon Feb 27 16:24:53 2012		PAGE: 1 OF 1 FLAT: 21 OF 25











THESE MATERIALS (INCLUDING ALL TEXT, SOFTWARE, CODE, DISPLAYS, ARTWORK, AND IMAGES) ARE LICENSED UNDER A CREATIVE COMMONS ATTRIBUTION 2.5 LICENSE



PAGE TITLE: 3.3, 2.5, 1.8 LOAD SWITCHES		REV: 2.1
DESIGN: load_switch_3x	DOC NUMBER: 810-10010-03	PAGE: 1 OF 1
MODIFIED: Mon Feb 27 16:24:53 2012		FLAT: 25 OF 25