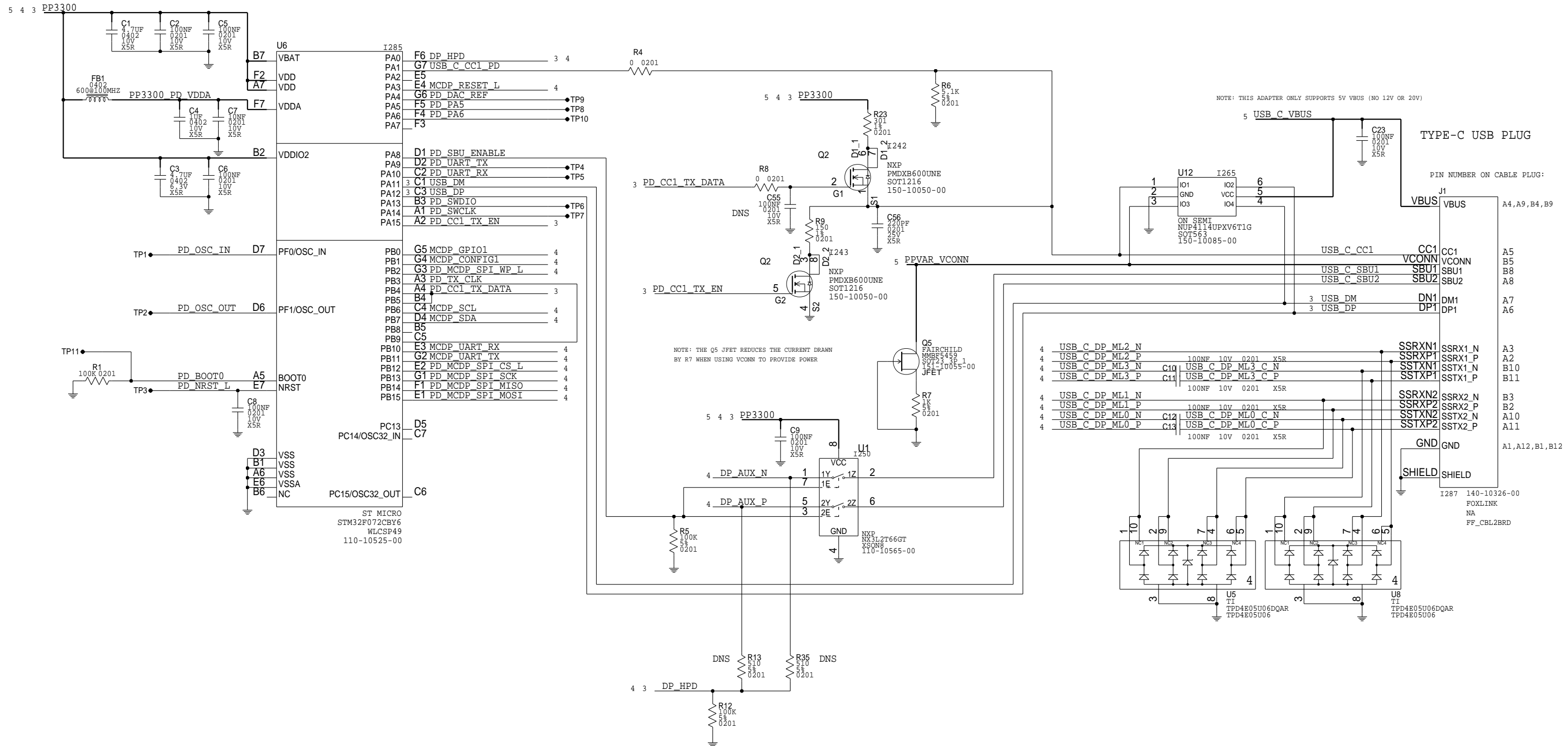
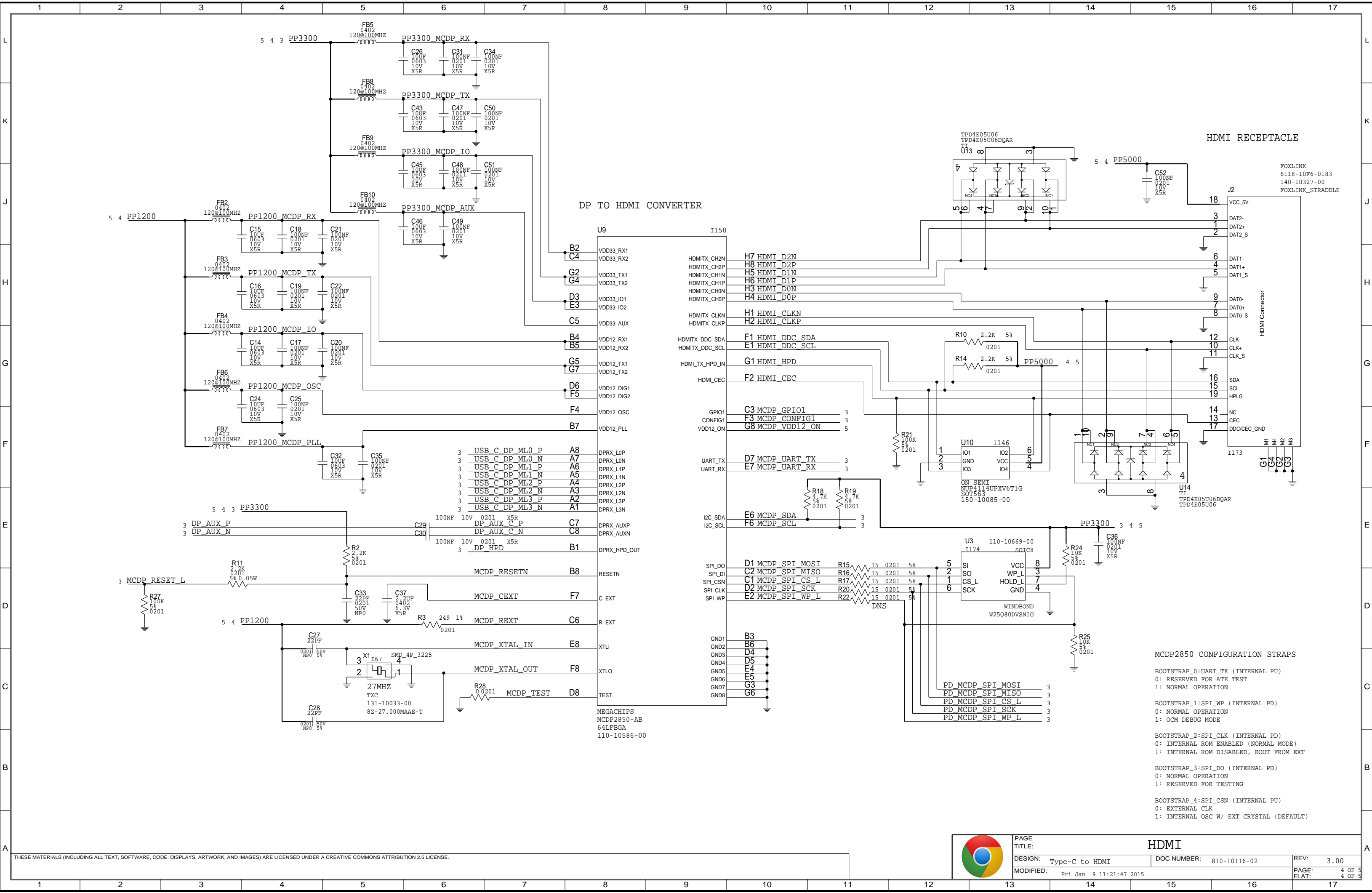


BASEBAND PD/PORT MCU



NOTE: THIS ADAPTER ONLY SUPPORTS 5V VBUS (NO 12V OR 20V)

NOTE: THE Q5 JFET REDUCES THE CURRENT DRAWN BY R7 WHEN USING VCONN TO PROVIDE POWER



DP TO HDMI CONVERTER

HDMI RECEPTACLE

| | |
|----|--------------|
| B2 | VDD33_RX1 |
| C4 | VDD33_RX2 |
| G2 | VDD33_TX1 |
| G4 | VDD33_TX2 |
| D3 | VDD33_IO1 |
| E3 | VDD33_IO2 |
| C5 | VDD33_AUX |
| B4 | VDD12_RX1 |
| B5 | VDD12_RX2 |
| G5 | VDD12_TX1 |
| G7 | VDD12_TX2 |
| D6 | VDD12_DIG1 |
| F5 | VDD12_DIG2 |
| F4 | VDD12_OSC |
| B7 | VDD12_PLL |
| A8 | DPRX_L0P |
| A7 | DPRX_L0N |
| A6 | DPRX_L1P |
| A5 | DPRX_L1N |
| A4 | DPRX_L2P |
| A3 | DPRX_L2N |
| A2 | DPRX_L3P |
| A1 | DPRX_L3N |
| C7 | DPRX_AUXP |
| C8 | DPRX_AUXN |
| B1 | DPRX_HPD_OUT |
| B8 | RESETN |
| F7 | C_EXT |
| C6 | R_EXT |
| E8 | XTLI |
| F8 | XTLO |
| D8 | TEST |

| | |
|----|---------------|
| H7 | HDMI_D2N |
| H8 | HDMI_D2P |
| H5 | HDMI_D1N |
| H6 | HDMI_D1P |
| H3 | HDMI_D0N |
| H4 | HDMI_D0P |
| H1 | HDMI_CLKN |
| H2 | HDMI_CLKP |
| F1 | HDMI_DDC_SDA |
| E1 | HDMI_DDC_SCL |
| G1 | HDMI_HPD |
| F2 | HDMI_CEC |
| C3 | MCDP_GPIO1 |
| F3 | MCDP_CONFIG1 |
| G8 | MCDP_VDD12_ON |
| D7 | MCDP_UART_TX |
| E7 | MCDP_UART_RX |
| E6 | MCDP_SDA |
| F6 | MCDP_SCL |
| D1 | MCDP_SPI_MOSI |
| C2 | MCDP_SPI_MISO |
| C1 | MCDP_SPI_CS_L |
| D2 | MCDP_SPI_SCK |
| E2 | MCDP_SPI_WP_L |

MCDP2850 CONFIGURATION STRAPS

- BOOTSTRAP_0:UART_TX (INTERNAL PU)
 - 0: RESERVED FOR ATE TEST
 - 1: NORMAL OPERATION
- BOOTSTRAP_1:SPI_WP (INTERNAL PD)
 - 0: NORMAL OPERATION
 - 1: OCM DEBUG MODE
- BOOTSTRAP_2:SPI_CLK (INTERNAL PD)
 - 0: INTERNAL ROM ENABLED (NORMAL MODE)
 - 1: INTERNAL ROM DISABLED, BOOT FROM EXT
- BOOTSTRAP_3:SPI_DO (INTERNAL PD)
 - 0: NORMAL OPERATION
 - 1: RESERVED FOR TESTING
- BOOTSTRAP_4:SPI_CSN (INTERNAL PU)
 - 0: EXTERNAL CLK
 - 1: INTERNAL OSC W/ EXT CRYSTAL (DEFAULT)



THESE MATERIALS (INCLUDING ALL TEXT, SOFTWARE, CODE, DISPLAYS, ARTWORK, AND IMAGES) ARE LICENSED UNDER A CREATIVE COMMONS ATTRIBUTION 2.5 LICENSE.

