

SERVO MICRO

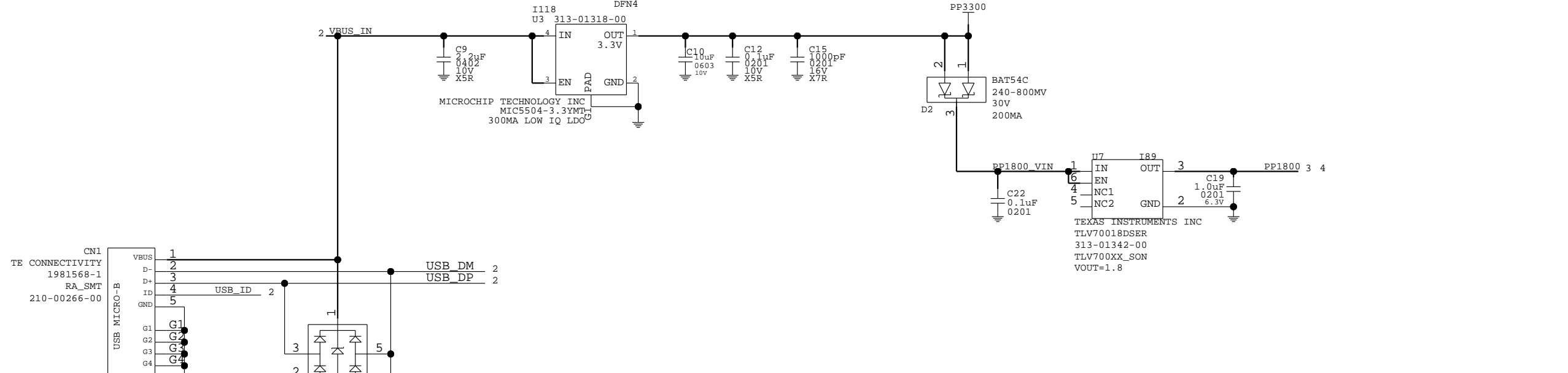
SCH: 652-00166-05-SCH
 ASSY: 652-00166-05
 PCB: 653-00166-05

TABLE OF CONTENTS

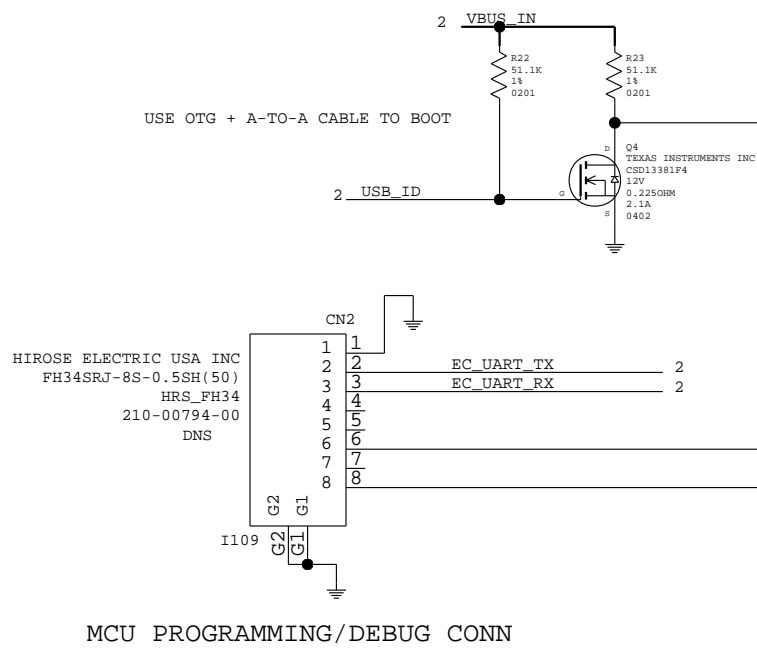
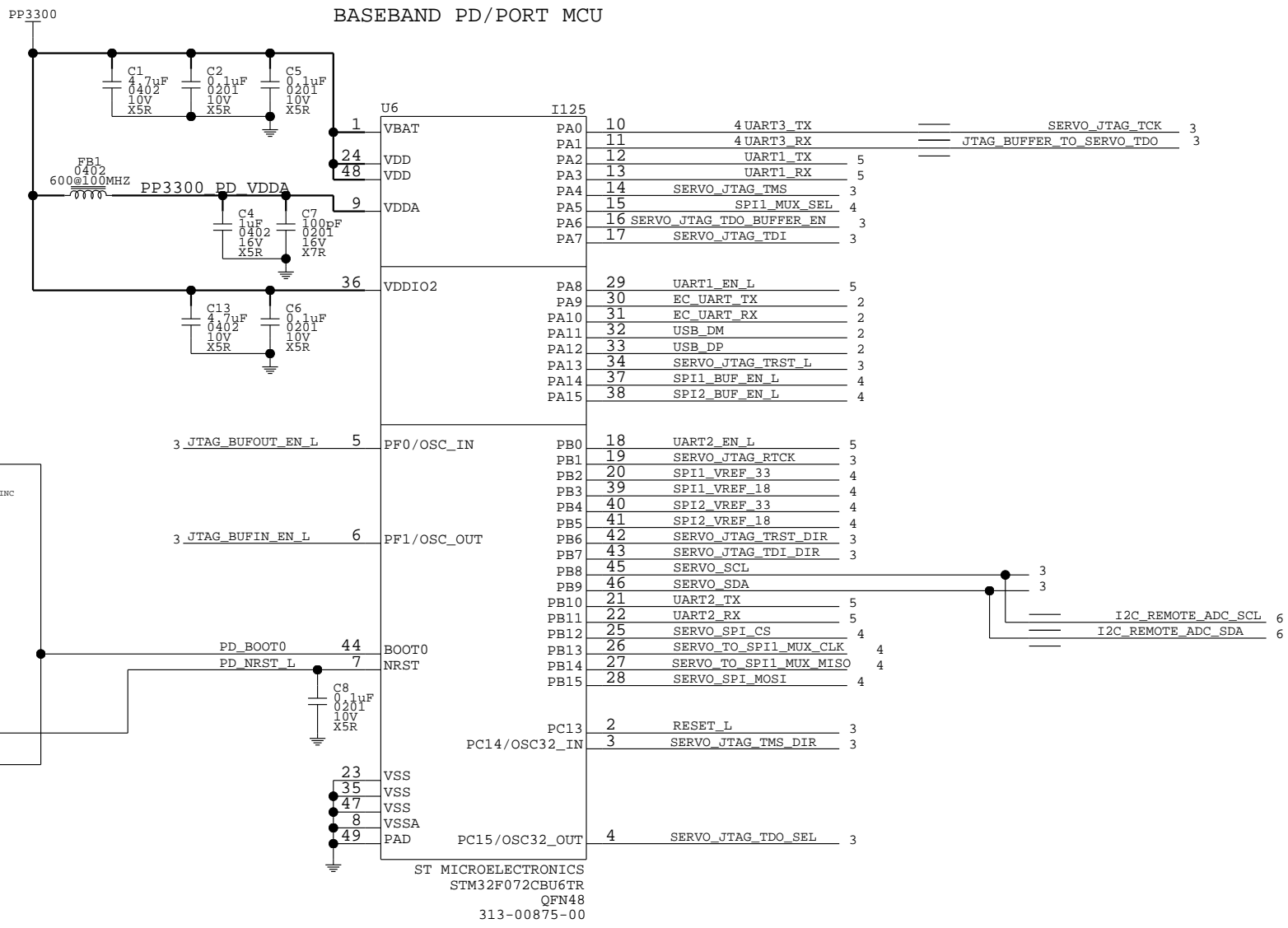
SHEET NO.	SHEET NAME
1	SERVO MICRO
2	POWER_MCU
3	GPIO EXPANDERS, JTAG BUFFERS
4	SPI ISOLATION BUFFERS
5	UART ISOLATION BUFFERS
6	V2 DEBUG CONN
7	3.3,2.5,1.8 LOAD SWITCHES
8	3.3,2.5,1.8 LOAD SWITCHES

I2C ADDRESS MAP			
DESCRIPTION	I2C BUS	SPEED	I2C ADDRESS
DUT I2C	I2C_REMOTE_ADC	400KHZ	7'H_0XXX
IO EXPANDER	LOCAL_I2C	400KHZ	7'H_0X20



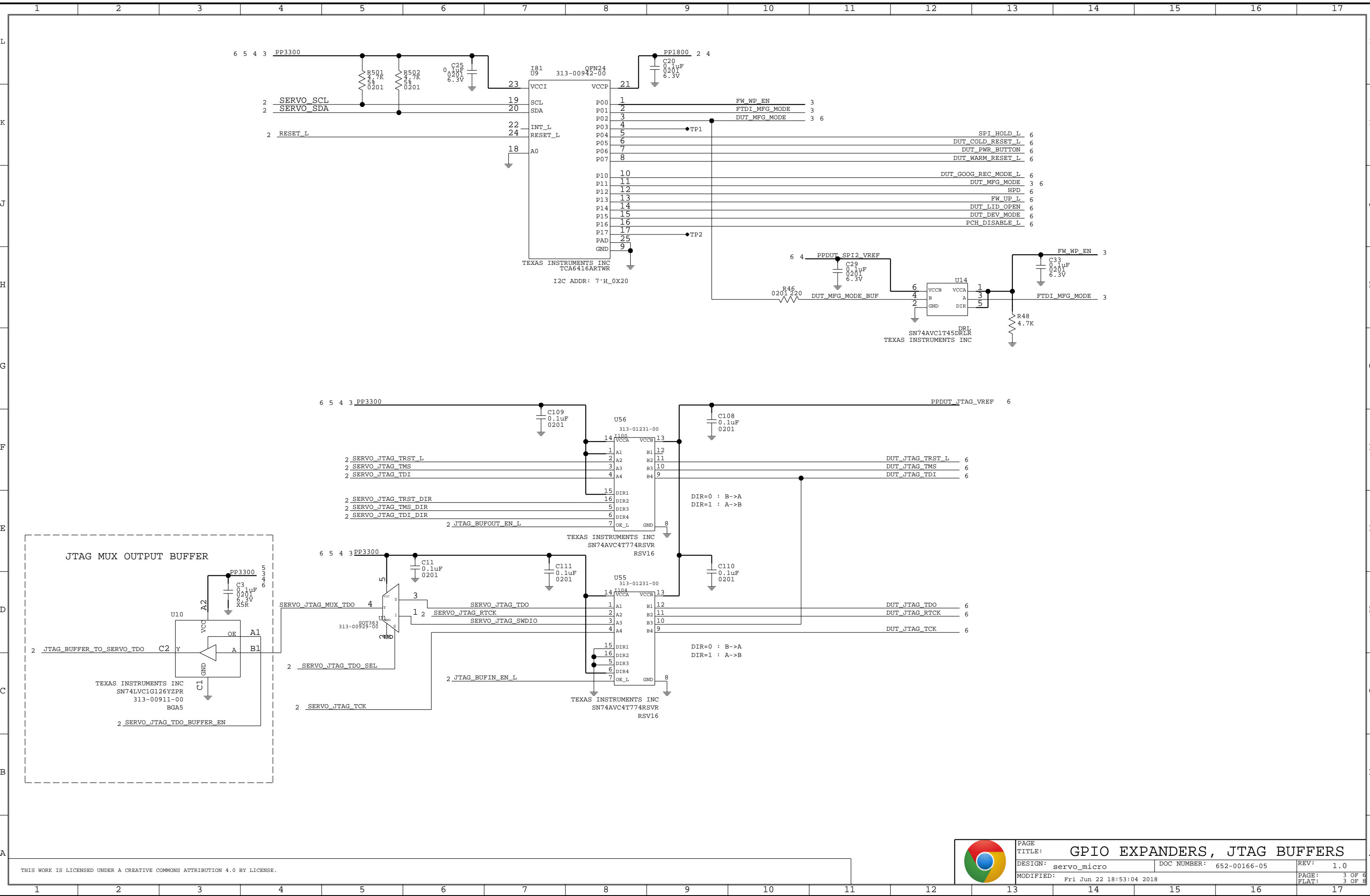


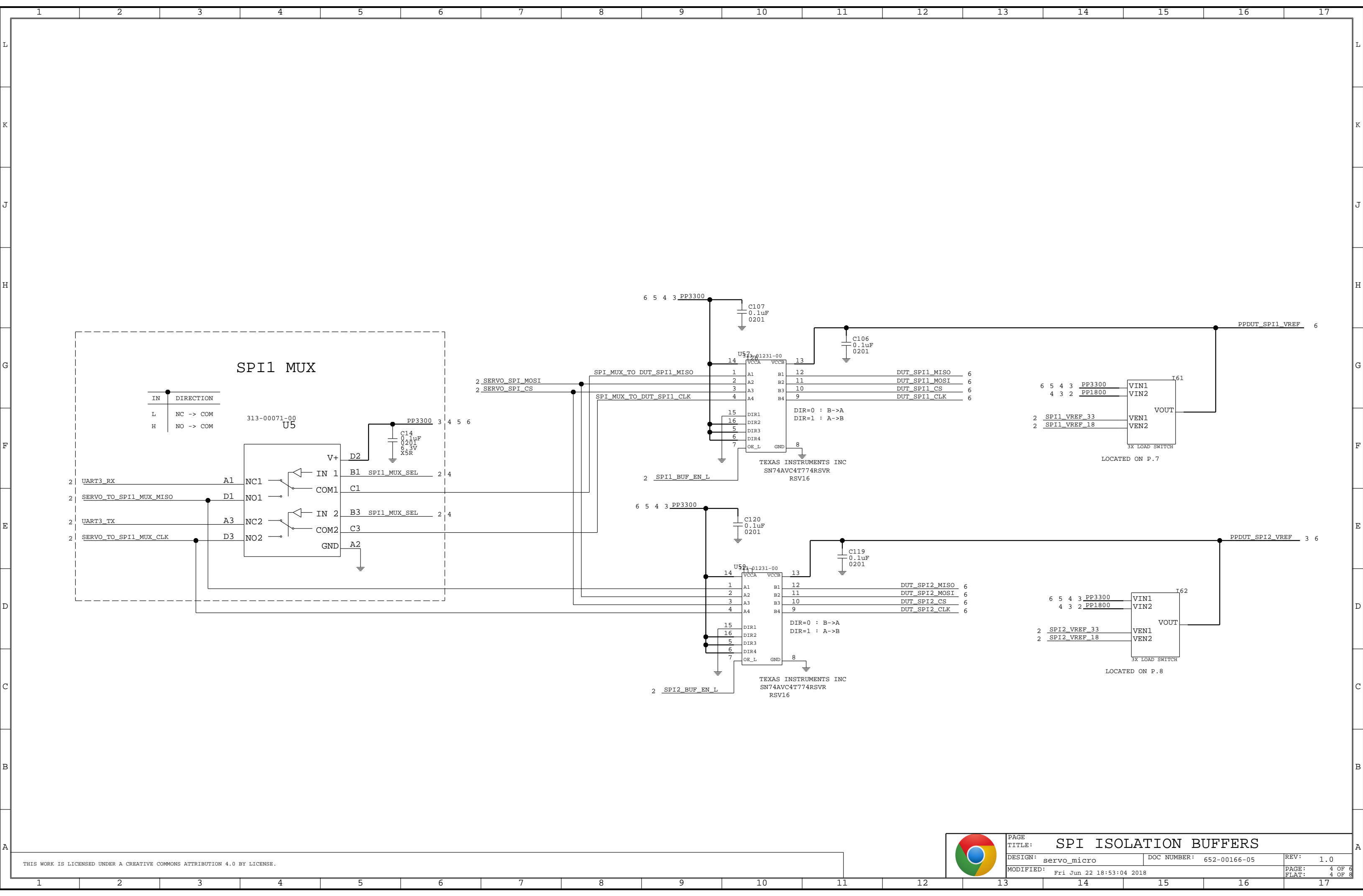
** WE COULD MAKE THIS TYPE-C INSTEAD!



MCU PROGRAMMING/DEBUG CONN



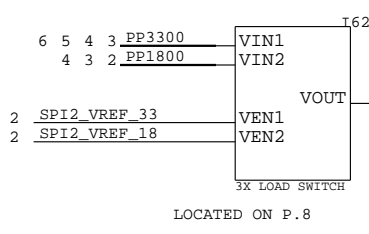
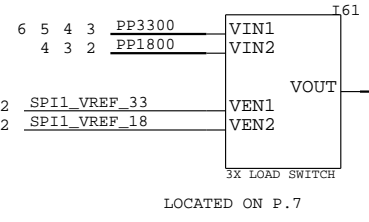


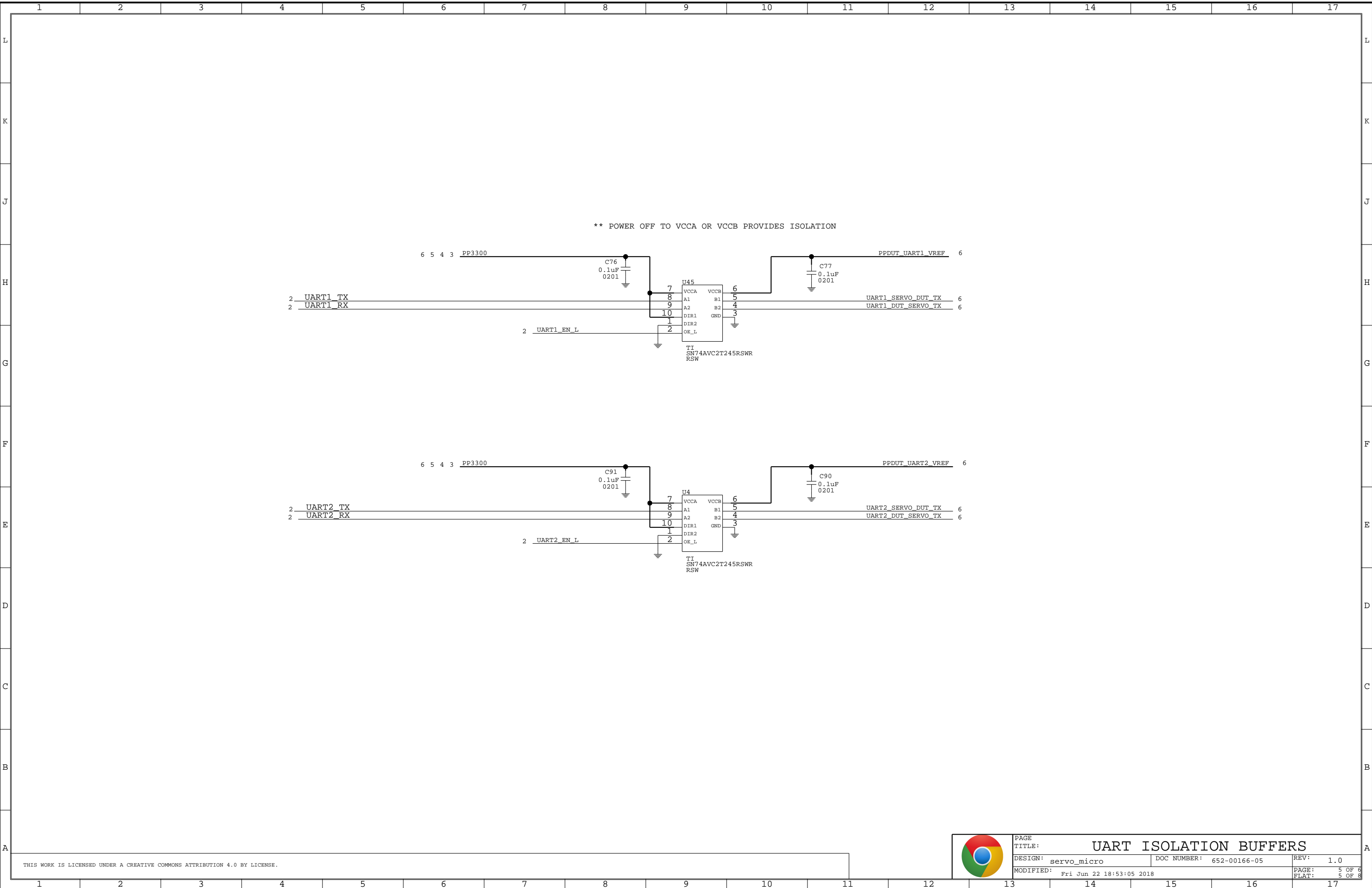


IN	DIRECTION
L	NC -> COM
H	NO -> COM

SPI1 MUX

313-00071-00
U5





V2 DEBUG HEADER:
DUT SIDE

